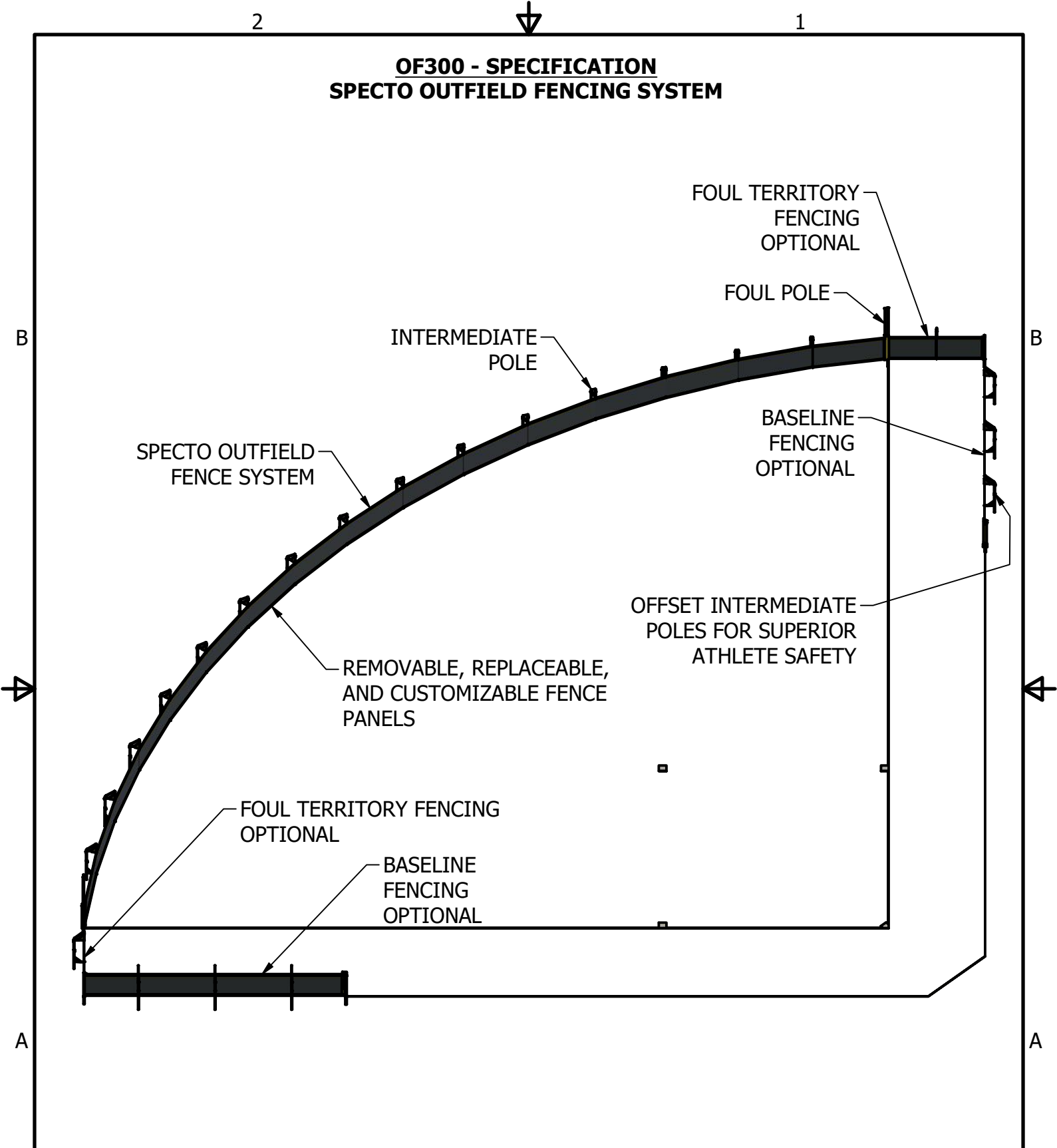


**OF300 - SPECIFICATION  
SPECTO OUTFIELD FENCING SYSTEM**



**OF300 - SPECIFICATION  
SPECTO OUTFIELD FENCE  
SYSTEM**

THIS PRINT IS THE PROPERTY OF GRAND SLAM  
SAFETY LLC AND MAY NOT BE REPRODUCED  
WITHOUT WRITTEN PERMISSION

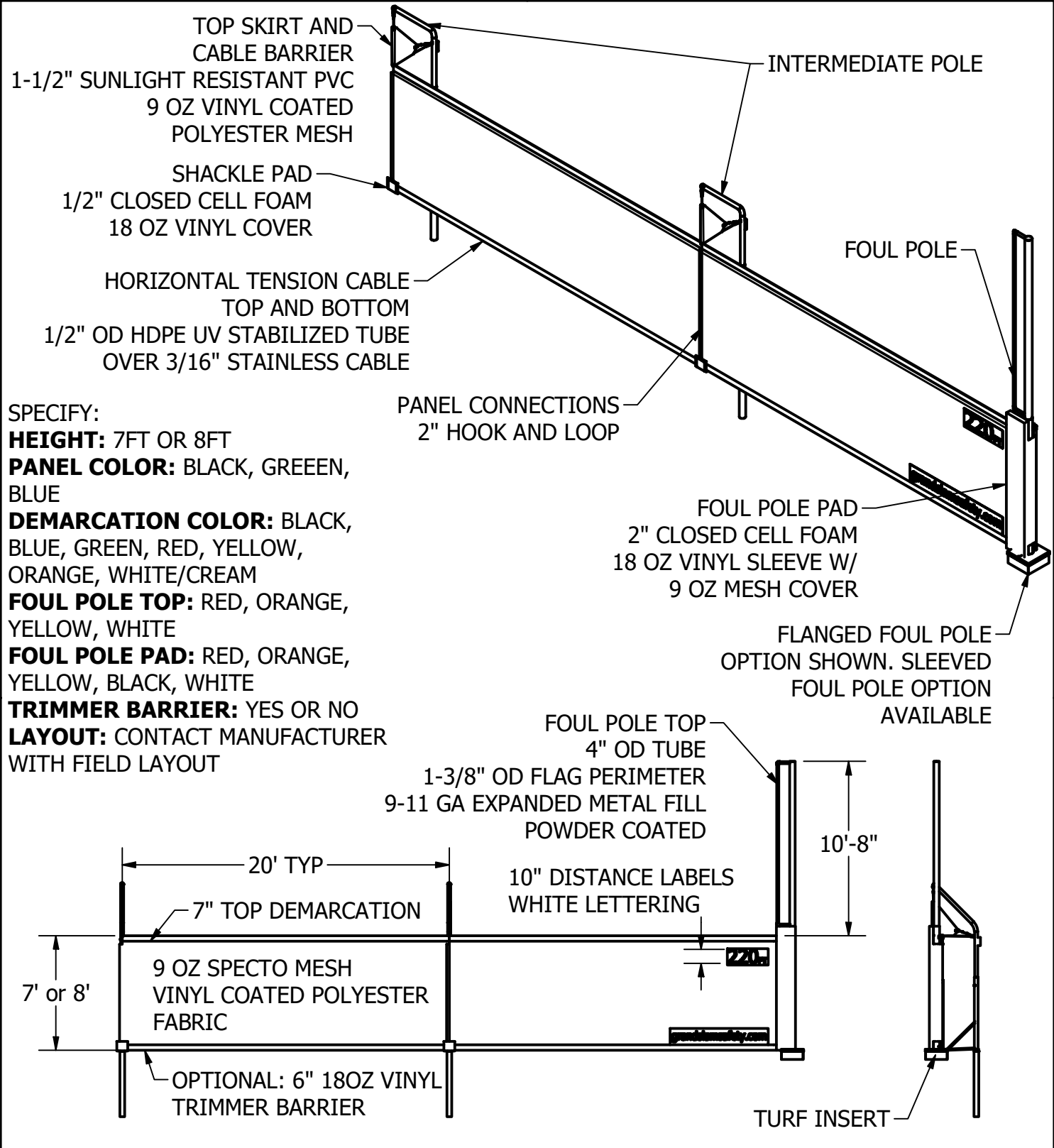


(315) 301-4039  
PO BOX 35  
9793 BRIDGE ST.  
CROGHAN, NY 13327  
USA

SHEET: 1 OF 9

2

1



SPECIFY:  
**HEIGHT:** 7FT OR 8FT  
**PANEL COLOR:** BLACK, GREEN, BLUE  
**DEMARICATION COLOR:** BLACK, BLUE, GREEN, RED, YELLOW, ORANGE, WHITE/CREAM  
**FOUL POLE TOP:** RED, ORANGE, YELLOW, WHITE  
**FOUL POLE PAD:** RED, ORANGE, YELLOW, BLACK, WHITE  
**TRIMMER BARRIER:** YES OR NO  
**LAYOUT:** CONTACT MANUFACTURER WITH FIELD LAYOUT

COMPLETE CUSTOM LAYOUTS AND DESIGNS AVAILABLE: CONTACT GRAND SLAM SAFETY

OF300 - SPECIFICATION  
 SPECTO OUTFIELD FENCE  
 SYSTEM

THIS PRINT IS THE PROPERTY OF GRAND SLAM SAFETY LLC AND MAY NOT BE REPRODUCED WITHOUT WRITTEN PERMISSION



(315) 301-4039  
 PO BOX 35  
 9793 BRIDGE ST.  
 CROGHAN, NY 13327  
 USA

SHEET: 2 OF 9

2

4

1

REV:1 3/19/2018

2



1

**FLANGED FOUL POLE OPTION**

SLEEVE FOUL POLE  
TOP INSTALLATION  
AID OR UPPER  
NETTING 1-3/4" ID

3-LOBED KNOB  
SET SCREWS

FOUL POLE PAD  
TENSION RODS  
1-1/2" OD

FOUL TERRITORY  
TENSION ROD  
1-1/2" OD

FINISHED  
GRADE

10" X 10" BOLT  
PATTERN FOR  
1" ANCHOR BOLTS



2" OD PULLEY

WINCH  
2000#  
WORM GEAR

SPRING  
TENSION  
INDICATOR

STEEL POLE  
4-1/2" OD  
POWDER  
COATED

GROUND  
CONNECTION  
FLANGED

B

B

**SLEEVED FOUL POLE OPTION**

SLEEVE FOUL POLE  
TOP INSTALLATION  
AID OR UPPER  
NETTING 1-3/4" ID

3-LOBED KNOB  
SET SCREWS

FOUL POLE PAD  
TENSION ROD  
1-1/2" OD

FOUL TERRITORY  
TENSION ROD  
1-1/2" OD

2" OD PULLEY

WINCH  
2000#  
WORM GEAR

SPRING  
TENSION  
INDICATOR

FINISHED  
GRADE

STEEL POLE  
4-1/2" OD  
POWDER COATED

SLEEVED  
CONNECTION  
(3')



A

A

OF300 - SPECIFICATION  
SPECTO OUTFIELD FENCE  
SYSTEM

THIS PRINT IS THE PROPERTY OF GRAND SLAM  
SAFETY LLC AND MAY NOT BE REPRODUCED  
WITHOUT WRITTEN PERMISSION



(315) 301-4039  
PO BOX 35  
9793 BRIDGE ST.  
CROGHAN, NY 13327  
USA

SHEET: 3 OF 9

2



1

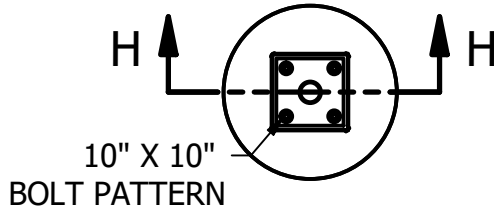
REV:1 3/19/2018

2



1

### FLANGED FOUL POLE FOUNDATION



INSTALL THE FOLLOWING  
(X) DISTANCE BELOW  
FINISH GRADE:  
TOP OF TURF BOX (1"), TOP OF  
CONCRETE (8"), TOP OF ANCHOR  
BOLT (2")

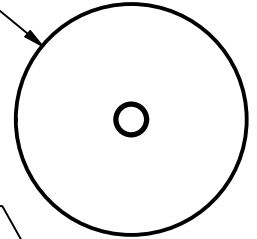
- (4) 1" GALVANIZED A325 36" ANCHOR BOLT 4" LEG
- (8) A490 HEAVY HEX NUT W/ 3/16" THICK WASHERS

CONCRETE  
FOUNDATION  
BY OTHER

SECTION H-H  
SCALE 1/40

### SLEEVED FOUL POLE FOUNDATION

DIAMETER TO BE  
DETERMINED  
BY OTHER PER  
SUPPLIED LOADING



5" OD X 4-5/8" ID  
4' LONG ZINC  
COATED STEEL SLEEVE.  
INSTALL TOP OF SLEEVE  
1" BELOW FINISH GRADE  
AND 1" ABOVE CONCRETE  
(MAINTAIN 38" CLEAR OF  
DEBRIS INSIDE SLEEVE)

CONCRETE  
FOUNDATION  
BY OTHER

FOUNDATION DEPTH  
TO BE DETERMINED  
BY OTHER PER  
SUPPLIED LOADING

FOUNDATION DESIGN BY OTHER BASED ON LOCAL SOIL CONDITIONS AND SUPPLIED LOADING  
SEE SHEET 7.  
CONTACT MANUFACTURE FOR ALTERNATIVE HELICAL PILE FOUNDATION OPTION.

OF300 - SPECIFICATION  
SPECTO OUTFIELD FENCE  
SYSTEM

THIS PRINT IS THE PROPERTY OF GRAND SLAM  
SAFETY LLC AND MAY NOT BE REPRODUCED  
WITHOUT WRITTEN PERMISSION



(315) 301-4039  
PO BOX 35  
9793 BRIDGE ST.  
CROGHAN, NY 13327  
USA

SHEET: 4 OF 9

2



1

REV:1 3/19/2018

B

B



A

A

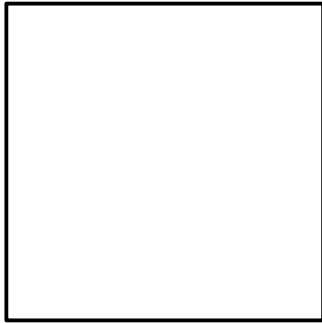
2



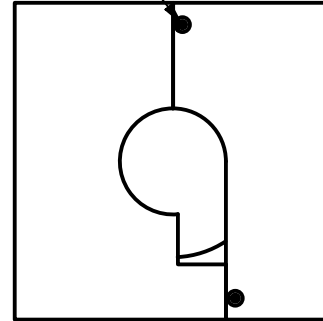
1

### FLANGED FOUL POLE TURF INSERT

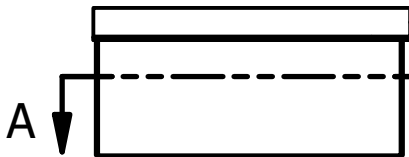
BOLTED CONNECTION



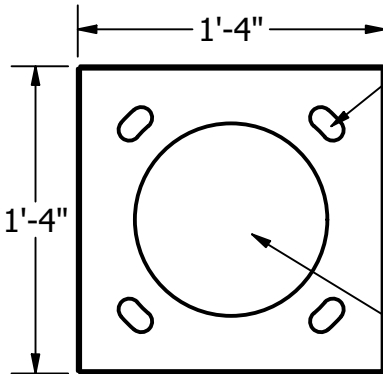
SOLID TOP WHEN POLE REMOVED



SPLIT TOP WHEN POLE INSTALLED



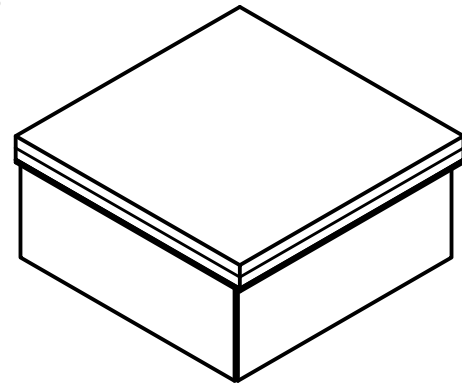
ARTIFICIAL TURF  
1-1/2" TOTAL THICKNESS  
3/4" RUBBER BASE  
3/4" TURF GRASS



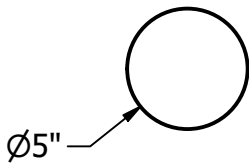
10"X10" BOLT  
PATTERN  
FOR 1" ANCHOR  
BOLTS

Ø10" ACCESS

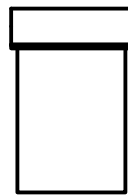
SECTION A-A



### SLEEVED FOUL POLE TURF INSERT



Ø5"



ARTIFICIAL TURF  
1-1/2" TOTAL THICKNESS  
3/4" RUBBER BASE  
3/4" TURF GRASS

Ø4 1/2"



OF300 - SPECIFICATION  
SPECTO OUTFIELD FENCE  
SYSTEM

THIS PRINT IS THE PROPERTY OF GRAND SLAM  
SAFETY LLC AND MAY NOT BE REPRODUCED  
WITHOUT WRITTEN PERMISSION



(315) 301-4039  
PO BOX 35  
9793 BRIDGE ST.  
CROGHAN, NY 13327  
USA

SHEET: 5 OF 9

2



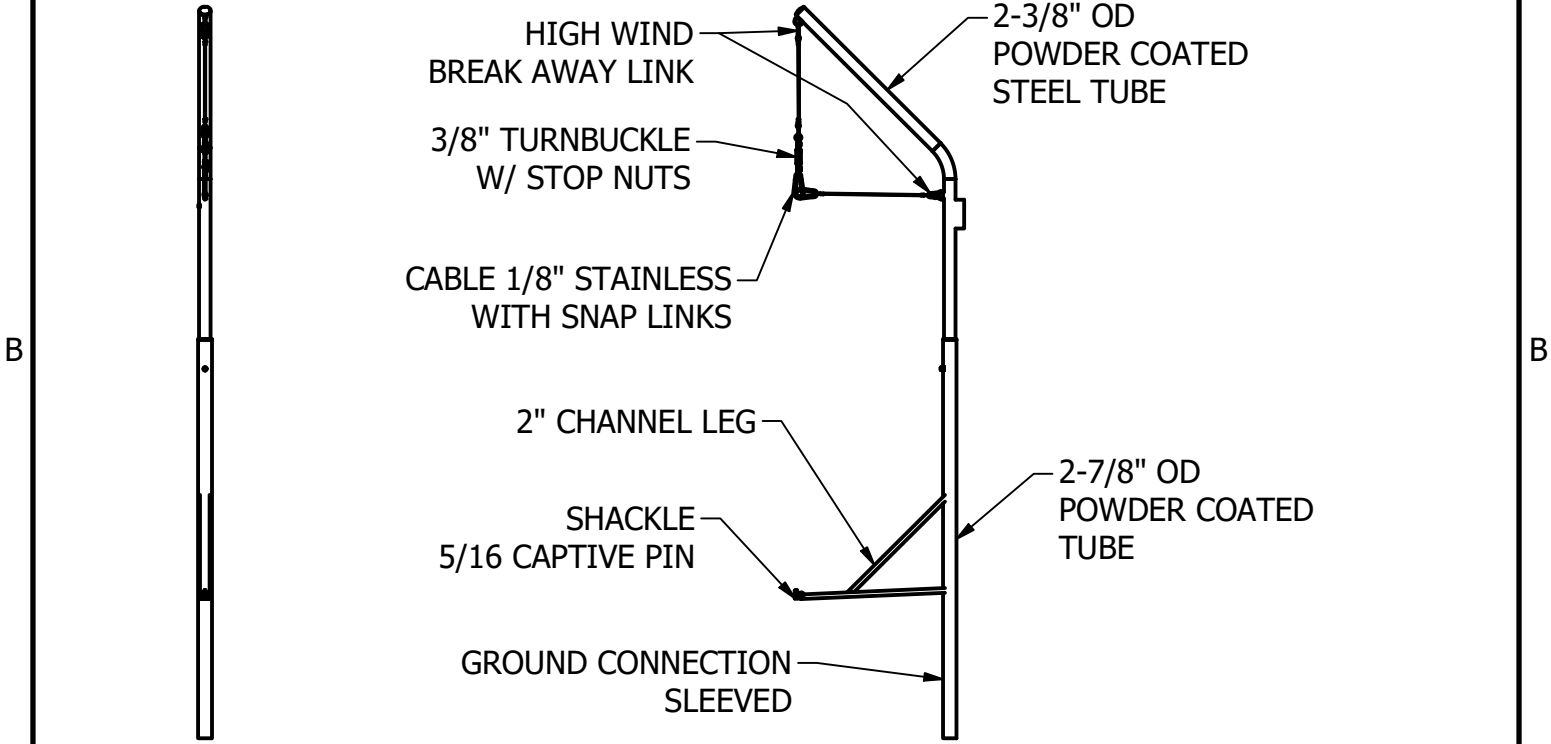
1

REV:1 3/19/2018

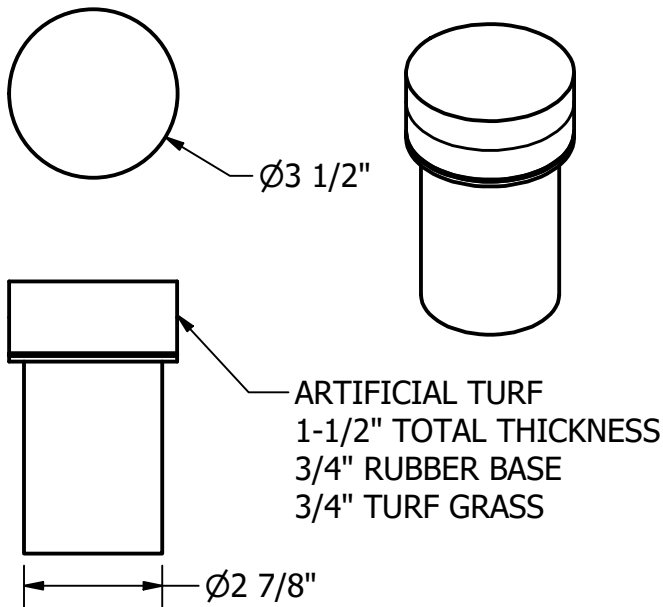
2

1

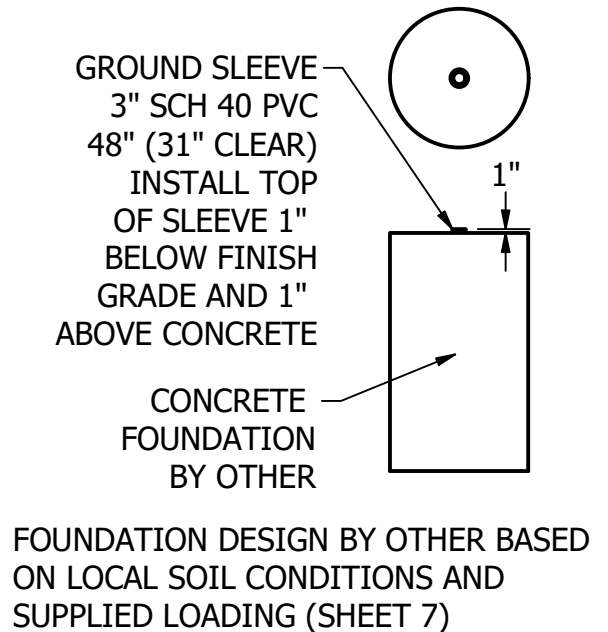
**INTERMEDIATE POLE DETAIL**



**INTERMEDIATE POLE TURF INSERT**



**INTERMEDIATE POLE SLEEVED FOUNDATION**



OF300 - SPECIFICATION  
SPECTO OUTFIELD FENCE  
SYSTEM

THIS PRINT IS THE PROPERTY OF GRAND SLAM  
SAFETY LLC AND MAY NOT BE REPRODUCED  
WITHOUT WRITTEN PERMISSION



(315) 301-4039  
PO BOX 35  
9793 BRIDGE ST.  
CROGHAN, NY 13327  
USA

SHEET: 6 OF 9

2



1

REV:1 3/19/2018

### POLE LOADING DIAGRAMS

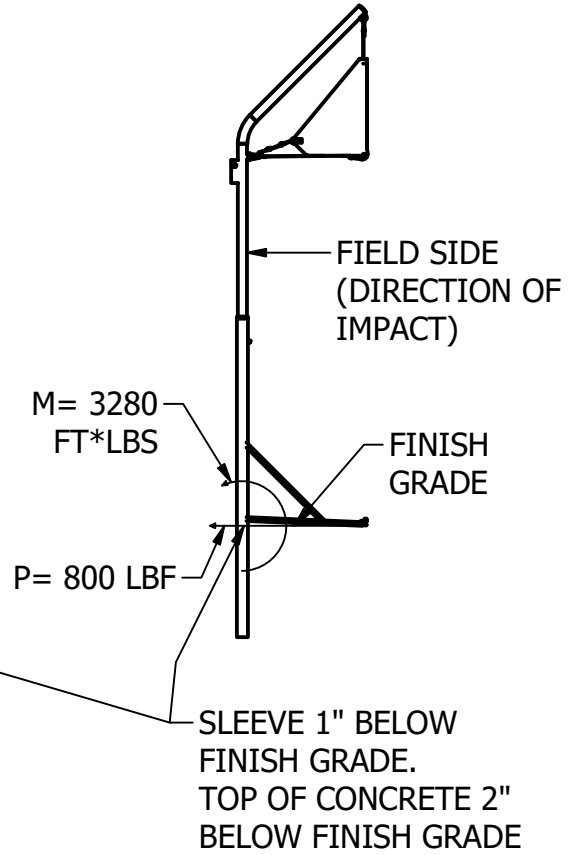
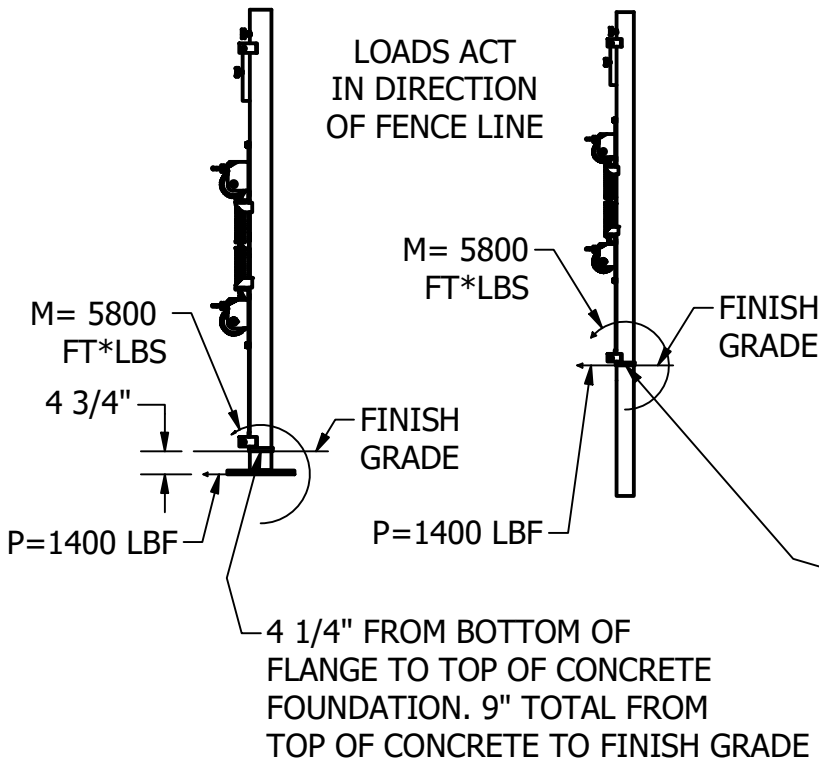
#### FOUL/END POLE LOADING

#### INTERMEDIATE POLE LOADING

##### FLANGED POLE OPTION

##### SLEEVED POLE OPTION

LOADS ACT IN DIRECTION OF FENCE LINE



#### FOUNDATION DESIGN:

GRAND SLAM SAFETY (GSS) IS NOT RESPONSIBLE FOR THE DESIGN, SPECIFICATION, OR WORKMANSHIP OF THE FOUNDATIONS. ANCHOR BOLT AND SLEEVE DETAILS HAVE BEEN PROVIDED ONLY TO SHOW MINIMUM REQUIREMENTS NECESSARY TO ATTACH THE POLES TO THE FOUNDATIONS. IT REMAINS THE OWNER'S, OR THE OWNER'S ENGINEER'S RESPONSIBILITY TO DETERMINE ALLOWABLE SOIL BEARING VALUES; DESIGN, SPECIFY, AND FURNISH THE FOUNDATIONS, ANCHOR BOLTS, AND SLEEVES; CONSIDER ANY SPECIAL LOADING OR CONDITIONS OF THE PROJECT SITE; AND TO INCLUDE ALL APPLICABLE PROVISIONS OF THE APPROPRIATE BUILDING CODE RELATED TO THE DESIGN OF THE FOUNDATIONS.

ALL ULTIMATE LOADING SHOWN IN THIS DETAIL IS PROVIDED IN UNFACTORED FORM. MAXIMUM LOADS AT THE FOUL POLE LOCATIONS ARE LIMITED TO THE RELEASE POINT OF THE SLIP CLUTCH ON THE TENSION WINCH. MAXIMUM LOADS AT THE INTERMEDIATE (SUPPORT) POLE LOCATIONS ARE LIMITED TO THE BREAKING POINT OF THE BREAKAWAY LINK BETWEEN THE FABRIC FENCE CABLE AND THE POLE.

OF300 - SPECIFICATION  
SPECTO OUTFIELD FENCE  
SYSTEM



(315) 301-4039  
PO BOX 35  
9793 BRIDGE ST.  
CROGHAN, NY 13327  
USA

THIS PRINT IS THE PROPERTY OF GRAND SLAM SAFETY LLC AND MAY NOT BE REPRODUCED WITHOUT WRITTEN PERMISSION

SHEET: 7 OF 9





OF300 - SPECIFICATION SHEET

SPECTO OUTDOOR CONTAINMENT SYSTEM SHALL BE A SEMI-PERMANENT OR PERMANENT POLE SUPPORTED FENCE SYSTEM. THE SYSTEM SHALL BE DESIGNED TO BE IMPACTABLE BY ATHLETES. THE FENCE SYSTEM SHALL BE 7' OR 8' TO THE TOP OF THE IMPACTABLE PORTION WITH AN OPTIONAL 10' SPORTS NETTING. THE SPORTS NETTING MAY BE ATTACHED ABOVE THE MESH IMPACTABLE PORTION TO EFFECTIVELY INCREASE THE HOME RUN HEIGHT OR SET BACK FROM FENCE LINE TO ALLOW BALLS TO DROP BEHIND THE FENCE.

B

THE IMPACTABLE PORTION SHALL BE 9 OZ. PER SQUARE YARD VINYL COATED POLYESTER FABRIC MESH, SELF-EXTINGUISHING IN HORIZONTAL BURN MODE. CUSTOMER SHALL SPECIFY PANEL, DEMARCATION AND FOUL POLE COLORS. FENCE SHALL BE 20' LENGTH PANELIZED CONSTRUCTION WITH LENGTH OF FOUL POLE PANELS CUSTOMIZED TO FIT FIELD DIMENSIONS. ADJACENT PANELS SHALL BE CONNECTED BY 2" HOOK AND LOOP VERTICAL SEAMS. SEAM CONNECTIONS SHALL BE REINFORCED WITH HORIZONTAL HOOK AND LOOP "L-STRAPS" AT THE TOP AND BOTTOM. THE HORIZONTAL TOP AND BOTTOM EDGES SHALL HAVE 7 INCHES TURNED BACK TO FORM A POCKET, AND SHALL BE CLOSED VIA 2" HOOK AND LOOP. A OPTIONAL 2" HOOK MAY BE ATTACHED TO THE FIELD SIDE 7" BELOW THE TOP TO ATTACH THE OPTIONAL SPORTS NETTING. A 6" SQUARE, 1/2" CLOSED CELL FOAM PAD COVERED BY 18 OZ PER SQUARE YARD VINYL SHALL BE SEWN TO THE PANEL TO COVER THE BOTTOM ATTACHMENT POINT BETWEEN PANELS. THE TOP 7" MAY BE A DIFFERENT COLOR TO ACT AS A DEMARCATION LINE.

B

A

THE PANELS SHALL BE SUPPORTED VIA A TOP AND BOTTOM HORIZONTAL 3/16" CABLE, HAVING A 3500 LB BREAKING STRENGTH, ENCLOSED WITHIN A 1/2" OD HDPE UV STABILIZED TUBE. EACH CABLE SHALL CONTAIN A BREAK AWAY MECHANISM TO PROTECT THE FENCE COMPONENTS FROM EXCESS LOAD TO TO WINDS IN EXCESS OF 60 MPH. THE HORIZONTAL CABLES SHALL ROUTE OVER 2" DIAMETER STEEL PULLEYS AND TERMINATE TO THE FOUL POLES ON 2000# WORM GEAR DRIVEN WINCHES. PROPER TENSION SHALL BE INDICATED BY COMPRESSION SPRINGS WITH OPTIMAL COMPRESSED LENGTH INDICATORS. A TOP VERTICAL CABLE SUPPORT SHALL BE POSITIONED AT PANELS SEAMS AND CONSIST OF 1/8" CABLE HAVING A 1800# BREAKING STRENGTH AND A TURNBUCKLE WITH SNAP LINKS. THE TOP VERTICAL CABLE SUPPORT SHALL EXTEND UPWARD TO A VERTICAL ANCHOR POINT ON THE INTERMEDIATE POLE. THE CABLE SHALL BE SLEEVED WITH 1-1/2" SUNLIGHT RESISTANT PVC AND A VINYL COATED POLYESTER MESH SKIRT SECURED TO THE INTERMEDIATE POLE BY POLYESTER SHOCK CORD. AN ADDITIONAL 1/8" HORIZONTAL CABLE SHALL CONNECT THE TOP HORIZONTAL CABLE TO THE INTERMEDIATE POLE AT EACH PANEL SEAM. BOTH CABLES SHALL HAVE A BREAKAWAY LINK TO ALLOW THE FENCE TO COLLAPSE AT WINDS IN EXCESS OF 60 MPH. THE BOTTOM VERTICAL ANCHOR POINT SHALL BE SECURED FROM FORWARD AND BACKWARD MOVEMENT BY A 5/16" CAPTIVE PIN SHACKLE ATTACHED TO THE LEG OF THE INTERMEDIATE POLE.

A

A

A

OF300 - SPECIFICATION  
SPECTO OUTFIELD FENCE  
SYSTEM

THIS PRINT IS THE PROPERTY OF GRAND SLAM  
SAFETY LLC AND MAY NOT BE REPRODUCED  
WITHOUT WRITTEN PERMISSION



(315) 301-4039  
PO BOX 35  
9793 BRIDGE ST.  
CROGHAN, NY 13327  
USA

SHEET: 8 OF 9







THE FOUL POLES SHALL CONSIST OF 4" SCHEDULE 40 PIPE WITH A FLANGED BASE TO BE ANCHORED VIA 1" ANCHOR BOLTS IN A CONCRETE FOOTING (BY OTHER). THE FOUL POLE SHALL BE POWDER COATED, CUSTOMER TO SPECIFY COLOR, AND CONTAIN THE PULLEY, WINCHES AND TENSION INDICATORS FOR THE HORIZONTAL FENCE CABLES. A 2" THICK CLOSED CELL CORNER PAD IN A 18 OZ PER SQUARE YARD VINYL SLEEVE WITH A 9 OZ VINYL COATED POLYESTER MESH SHALL PROTECT THE ATHLETE FROM THE FOUL POLE AND IT'S HARDWARE. THE FOUL POLE PAD SHALL CONNECT TO THE ADJACENT FENCE PANEL VIA THE SAME 2" HOOK AND LOOP AS THE PANEL TO PANEL CONNECTION. THE FOUL POLE PAD SHALL CONNECT TO THE FOUL POLE VIA A MESH TAB CONNECTED TO THE FOUL POLE TENSION ROD VIA 1" HOOK AND LOOP. THE TENSION ROD SHALL BE SECURED TO THE FOUL POLE BY 1-1/2" ID TUBE SLEEVES AND 3/8 SET SCREWS WITH 3-LOBED KNOBS. A SECOND TENSION ROD SHALL BE MOUNTED ON THE FOUL POLE TO BE UTILIZED FOR OPTIONAL FOUL TERRITORY FENCING. THE FOUL POLE TOP SHALL BE 4" OD TUBE WITH A 1-3/8 OD FLAG PERIMETER FILLED WITH 9-11GA EXPANDED METAL AND POWDER COATED. A FOUL POLE TOP INSTALLATION TOOL SHALL CONSIST OF 1-3/4" OD TUBE WITH PULLEYS AND 3/8" NYLON DOUBLE BRAIDED ROPE.

THE INTERMEDIATE POLES PROVIDE VERTICAL ATTACHMENT POINTS FOR THE HORIZONTAL TOP AND BOTTOM CABLE AT 10'-11" ABOVE THE PLAYING SURFACE AND ARE SET BACK 31-1/2" FROM CENTER OF POLE TO CENTERLINE OF FENCE, TO OFFSET FROM HARD STRUCTURE. POLE SHALL BE 2PC FOR EASE OF INSTALLATION AND REMOVAL WITH THE TOP PORTION 2" SCHEDULE 40 PIPE STEEL PIPE AND THE BOTTOM 2-1/2" SCH 40, BOTH POWDER COATED BLACK.

ACCESSORIES:

TRANSPORT CART: SHALL BE SUPPLIED STANDARD WITH ALL FENCES TO CONTAIN ALL THE SOFT COMPONENTS OF THE FENCING SYSTEM. CART SHALL CONSIST OF 2" SQUARE STEEL TUBE BLACK POWDER COATED FRAME, 2-5/16 PILLOW BLOCK BEARINGS, 18" OD TUBE TO ROLL THE FENCE ONTO, A 4' DIAMETER HAND WHEEL, (4) 10" OR 12" DIAMETER SWIVELING CASTERS, AND AN INTEGRATED NEAP WITH 2" BALL COUPLER. TOTAL STORAGE FOOT PRINT IS APPROXIMATELY 30 SQFT FOR A 220' ALL AROUND 7' HIGH SOFTBALL FENCE AND 36 SQFT FOR 360' ALL AROUND BY 8' HIGH BASEBALL FENCE.

POLE CART: SHALL BE SUPPLIED OPTIONAL AND SHALL BE DESIGNED TO HOUSE ALL THE HARD COMPONENTS OF THE FENCING SYSTEM. CART SHALL BE 2" SQUARE STEEL TUBE BLACK POWDER COATED FRAME, (2) 20.5 INCH DIAMETER WHEELS (FENCES UP TO 400 LINEAR FEET) OR (2) 26.3 DIAMETER WHEELS (FENCES OVER 400 LINEAR FEET), ALL WHEELS SHALL BE MOUNTED ON HUBS AND SPINDLES WITH TAPERED ROLLER BEARINGS AND AN INTEGRATED NEAP WITH 2" BALL COUPLER. TOTAL STORAGE FOOTPRINT IS APPROXIMATELY 70 SQFT FOR A 220' ALL AROUND 7' HIGH SOFTBALL FENCE AND 118 SQFT FOR 360' ALL AROUND BY 8' HIGH BASEBALL FENCE.

OF300 - SPECIFICATION  
SPECTO OUTFIELD FENCE  
SYSTEM

THIS PRINT IS THE PROPERTY OF GRAND SLAM  
SAFETY LLC AND MAY NOT BE REPRODUCED  
WITHOUT WRITTEN PERMISSION



(315) 301-4039  
PO BOX 35  
9793 BRIDGE ST.  
CROGHAN, NY 13327  
USA

SHEET: 9 OF 9

