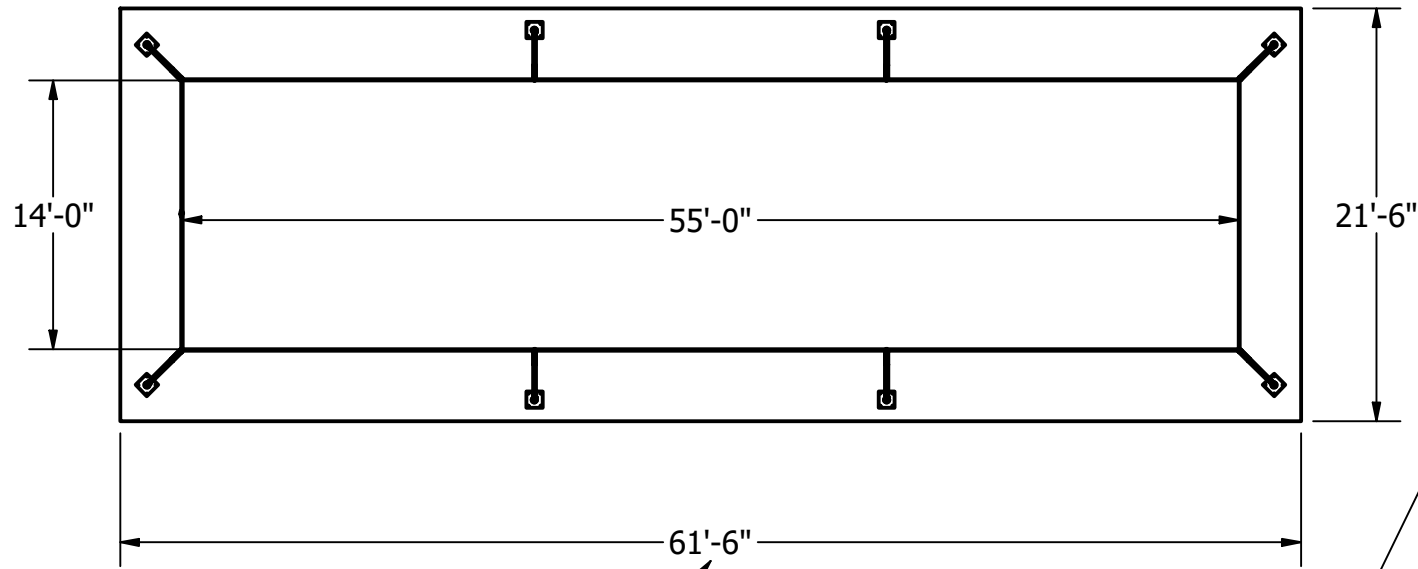
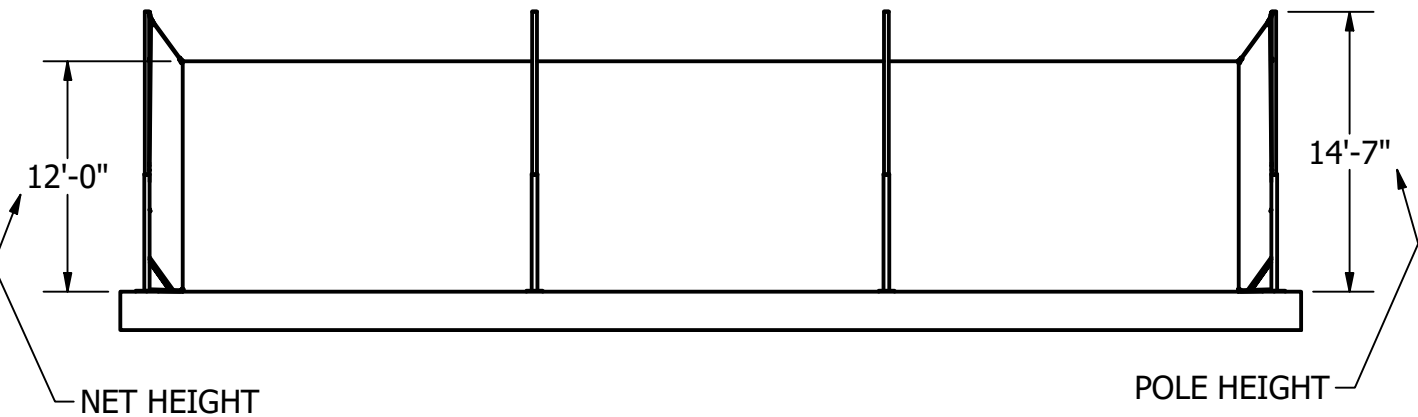


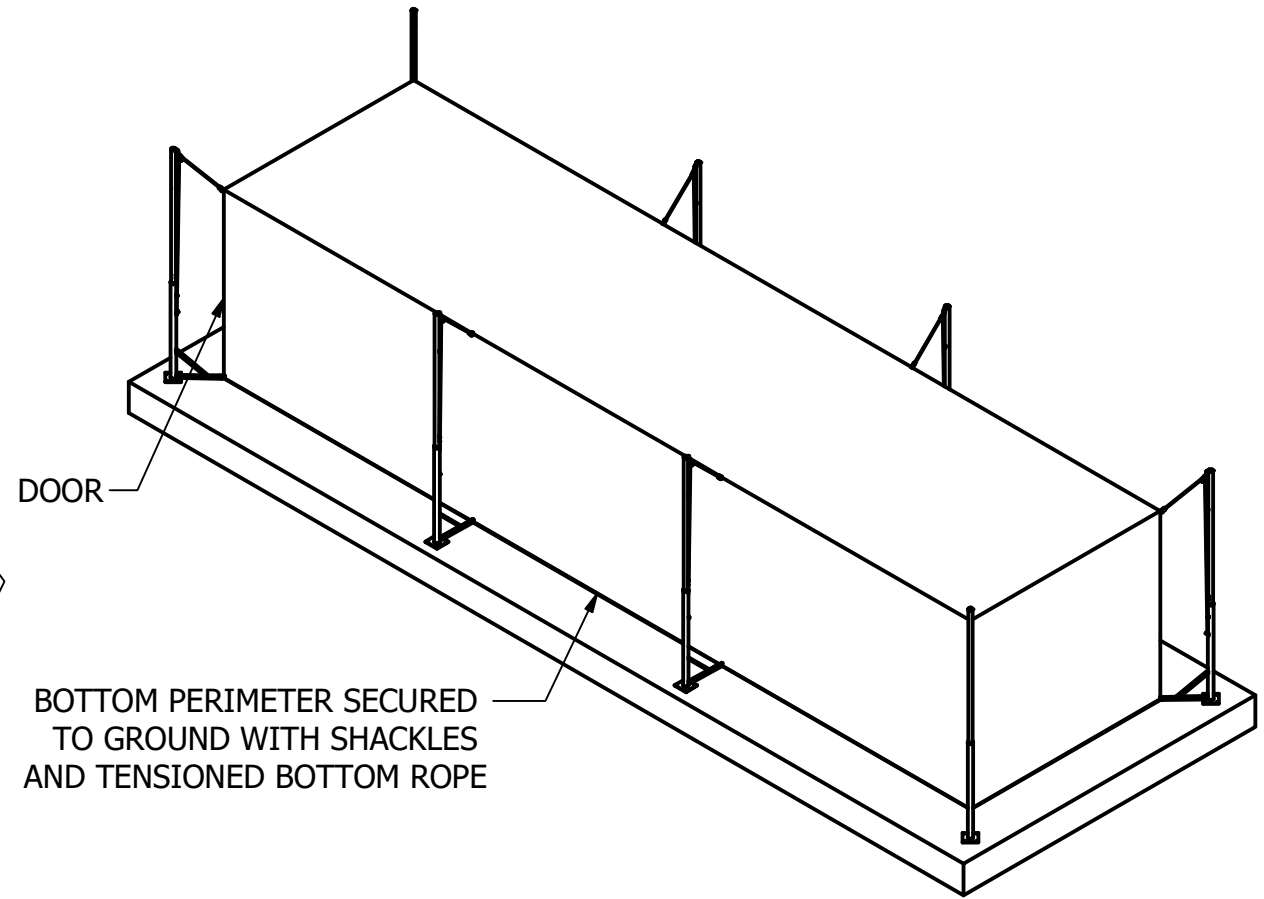
**BC201 55'L X 14'W X 12'H
POLE SUPPORTED BATTING CAGE SYSTEM**



RECOMMENDED CONCRETE
PAD DIMENSIONS



FLANGED MOUNTED SYSTEM SHOWN, SLEEVED SYSTEM OPTIONAL, PLEASE SPECIFY



NOTES:

1. 4' WIDE ENTRY FLAP (OVERLAP) DOOR
2. NETTING 1-3/4 SQ BLACK, SPECIFY MATERIAL BELOW
3. POWDER COATED 3 1/2" BASE POLES, 2-7/8" TOP POLES WITH POLYESTER ROPE FOR TENSIONING NET
4. BOTTOM ROPE TENSIONED AND SECURED TO POLES TO HOLD NET BOTTOM IN POSITION
5. FLANGE ANCHOR BOLTS, (32) 1/2" X 7" HOT DIP GALVANIZED WEDGE ANCHOR BOLTS
6. CONCRETE SLAB BY OTHERS, MIN RECOMMENDED SIZE 21'-6" X 61'-6", 5" THICK WITH 1'DP X 3'WD THICKENED PERIMETER FOR ANCHOR BOLTS.

(PLEASE SPECIFY):

NETTING: #42 HDPE, #42 KNOTTED NYLON, #36 KNOTTED NYLON NETTING

FLANGED OR SLEEVED POLES

PITCHING TARGET: YES QTY:____, NO

SOFT TOSS NET: YES QTY:____, NO

THIS PRINT IS THE PROPERTY OF
GRAND SLAM SAFETY LLC AND MAY
NOT BE REPRODUCED WITHOUT
WRITTEN PERMISSION

SHEET: 1 OF 6

**GRAND SLAM
SAFETY**
WWW.GRANDSLAMSAFETY.COM

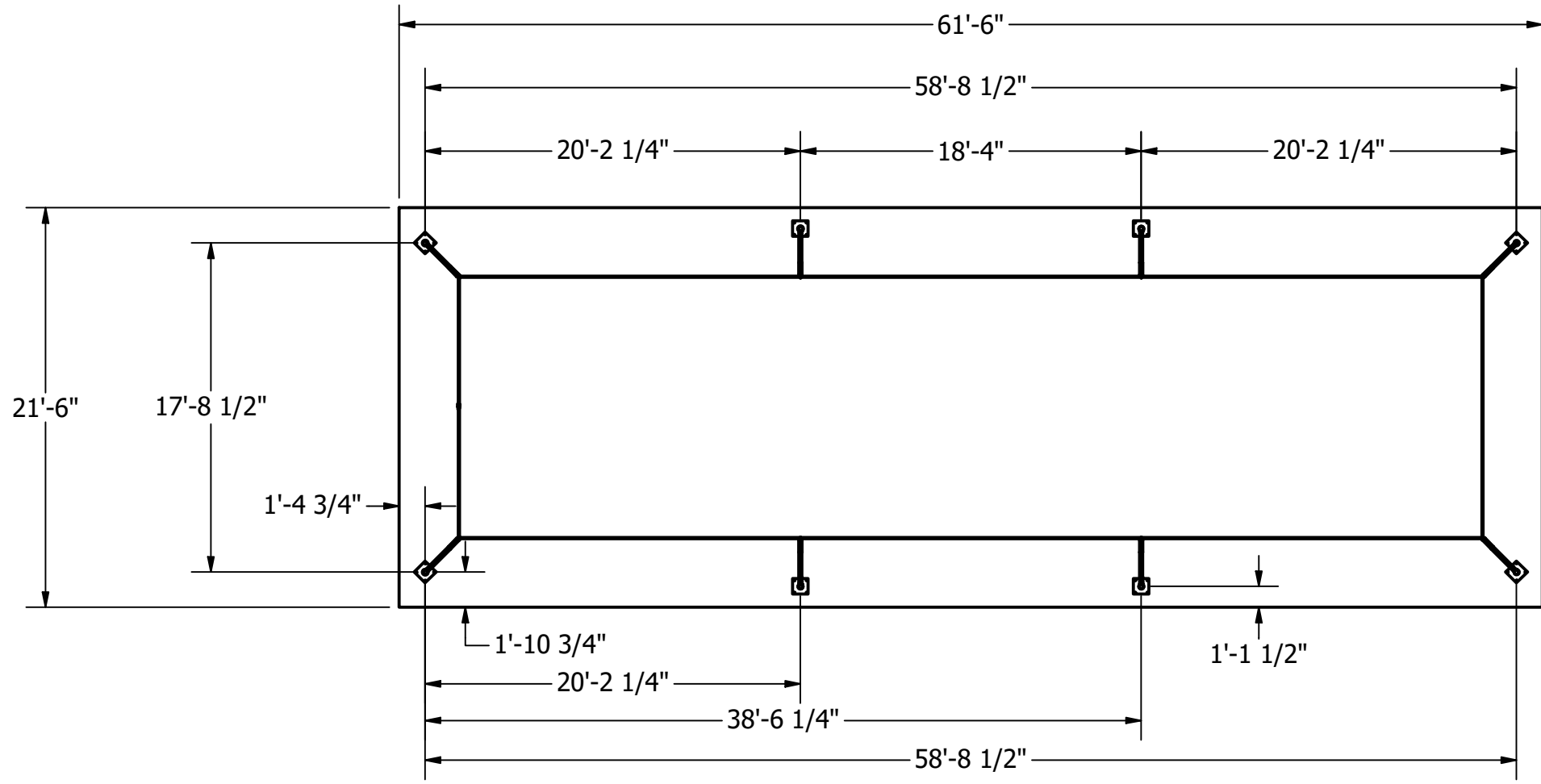
SPECTO® SPORT FENCING SOLUTIONS

Grand Slam Safety, LLC - 9793 Bridge Street - Croghan, NY 13327
Tel: 315-301-4030 Fax: 315-301-4031

BC201 55x14x12 BATTING
CAGE DETAILS

REV:

POLE LAYOUT

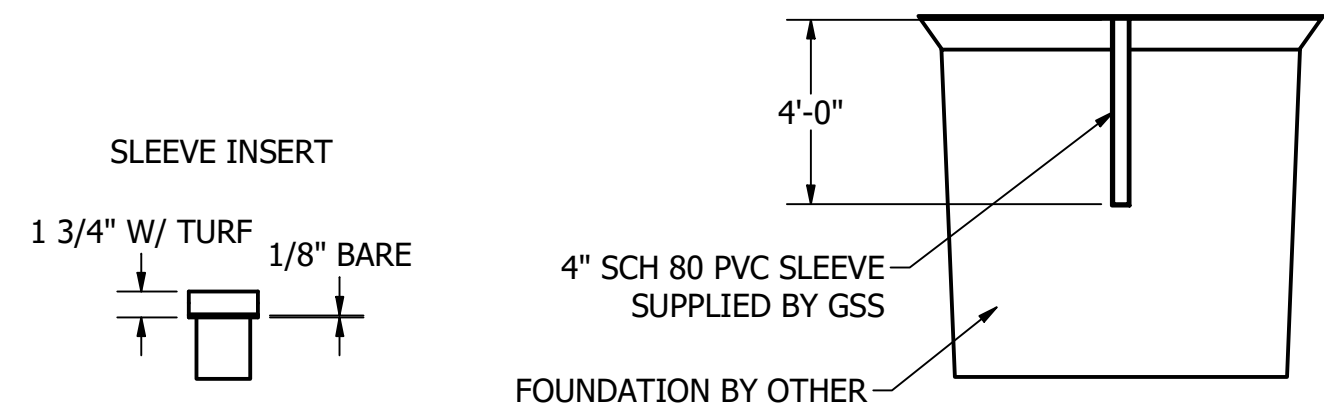


NOTES:

1. CENTER ON SLAB PROVIDED BY OTHER
2. DIMENSIONS TO CENTER OF SLEEVES OR FLANGES
3. MAINTAIN MINIMUM 8" EDGE OF SLAB TO EDGE OF FLANGE
4. EMBED FLANGE ANCHORS MINIMUM 6"

REINFORCED CONCRETE SLAB WITH THICKENED PERIMETER BY OTHERS

OPTIONAL SLEEVED FOUNDATION DETAILS



LOADING
M=5000 FT-LBS
P=500 LBS

FOUNDATION DESIGN:

GRAND SLAM SAFETY (GSS) IS NOT RESPONSIBLE FOR THE DESIGN, SPECIFICATION, OR WORKMANSHIP OF THE FOUNDATIONS. ANCHOR BOLT AND SLEEVE DETAILS HAVE BEEN PROVIDED ONLY TO SHOW MINIMUM REQUIREMENTS NECESSARY TO ATTACH THE POLES TO THE FOUNDATIONS. IT REMAINS THE OWNER'S, OR THE OWNER'S ENGINEER'S RESPONSIBILITY TO DETERMINE ALLOWABLE SOIL BEARING VALUES; DESIGN, SPECIFY, AND FURNISH THE FOUNDATIONS, ANCHOR BOLTS, AND SLEEVES; CONSIDER ANY SPECIAL LOADING OR CONDITIONS OF THE PROJECT SITE; AND TO INCLUDE ALL APPLICABLE PROVISIONS OF THE APPROPRIATE BUILDING CODE RELATED TO THE DESIGN OF THE FOUNDATIONS.

ALL ULTIMATE LOADING SHOWN IN THIS DETAIL IS PROVIDED IN NON-FACTORED FORM. MAXIMUM LOADS AT POLE LOCATIONS BASE ON THEORETICAL 50 MPH WIND LOADING ON NETTING.

THIS PRINT IS THE PROPERTY OF GRAND SLAM SAFETY LLC AND MAY NOT BE REPRODUCED WITHOUT WRITTEN PERMISSION

SHEET: 2 OF 6

GRAND SLAM SAFETY
WWW.GRANDSLAMSAFETY.COM
SPECTO® SPORT FENCING SOLUTIONS

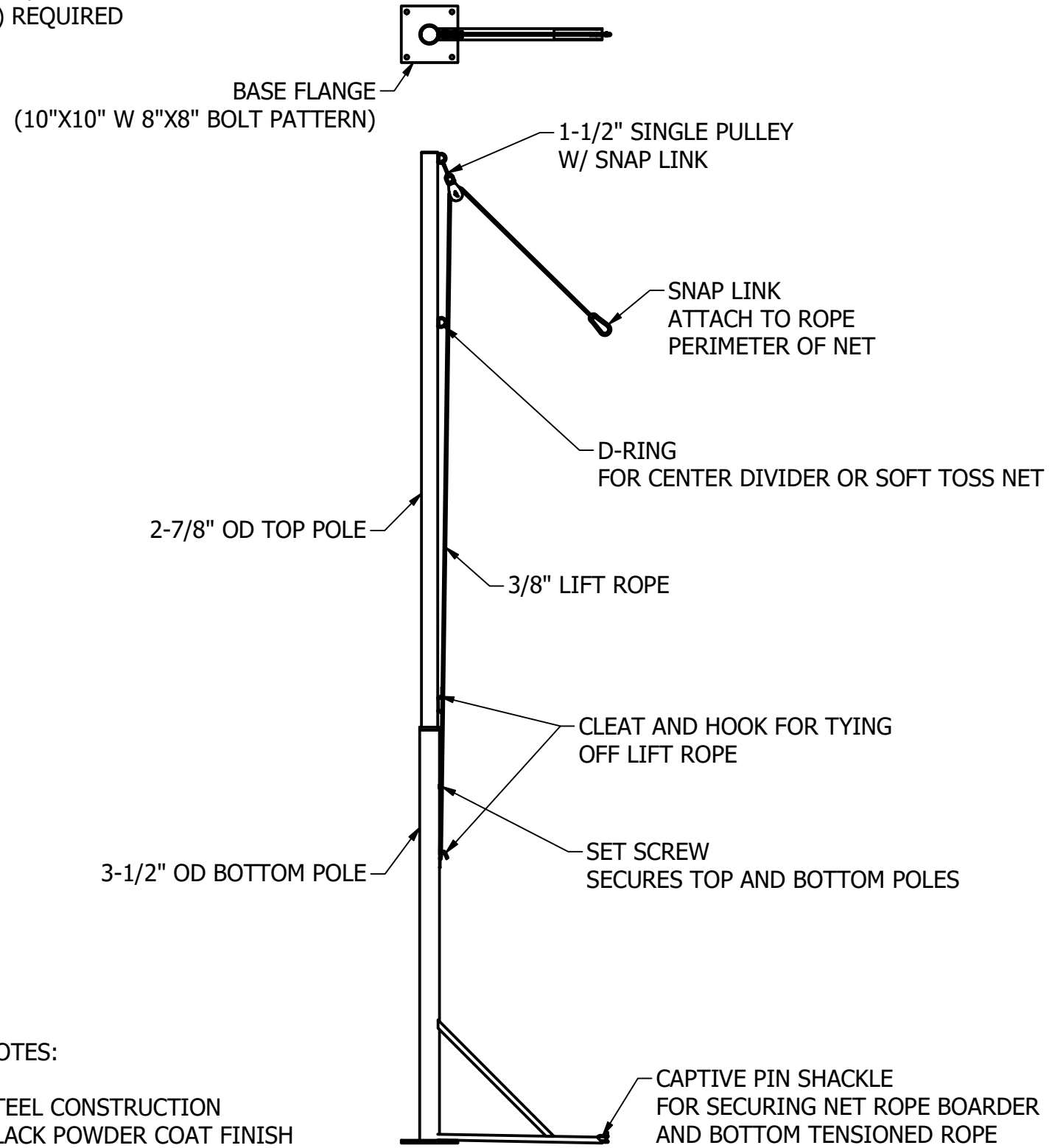
Grand Slam Safety, LLC - 9793 Bridge Street - Croghan, NY 13327
Tel: 315-301-4030 Fax: 315-301-4031

BC201 55x14x12 BATTING CAGE DETAILS

REV:

GENERAL POLE DETAILS

POLE, 30" OFFSET
(8) REQUIRED

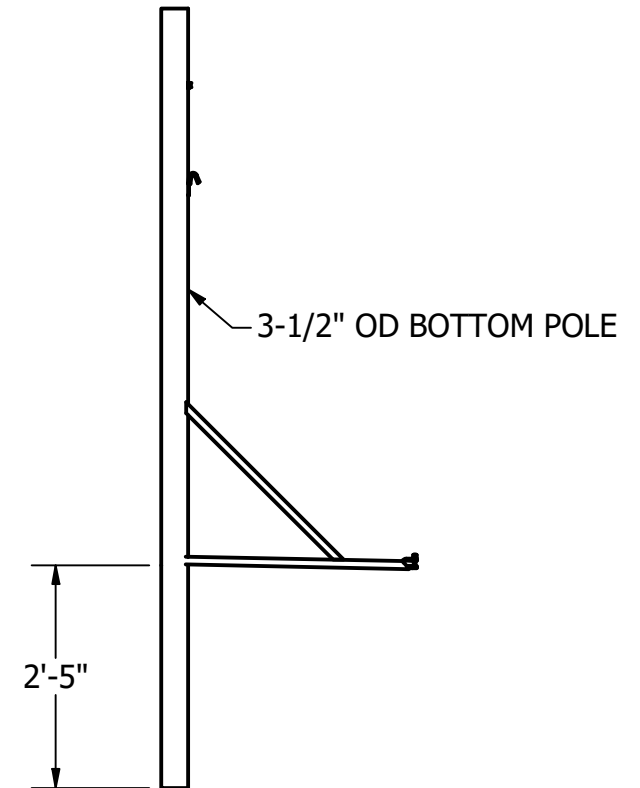


NOTES:

STEEL CONSTRUCTION
BLACK POWDER COAT FINISH

LIFT ROPE (8 REQUIRED)
22' OF 3/8" ACCESSORY CORD "D" SNAP ON ONE END,
ONE 1-1/2" RIGID EYE PULLEY, 2" OPEN LOOP ON
OTHER END. PUT "B" SNAP ON PULLEY.

OPTIONAL SLEEVED POLE DETAILS



MAINTAIN MINIMUM OF 30" CLEAN
DEPTH IN FOUNDATION SLEEVE

BC201 55x14x12 BATTING
CAGE DETAILS

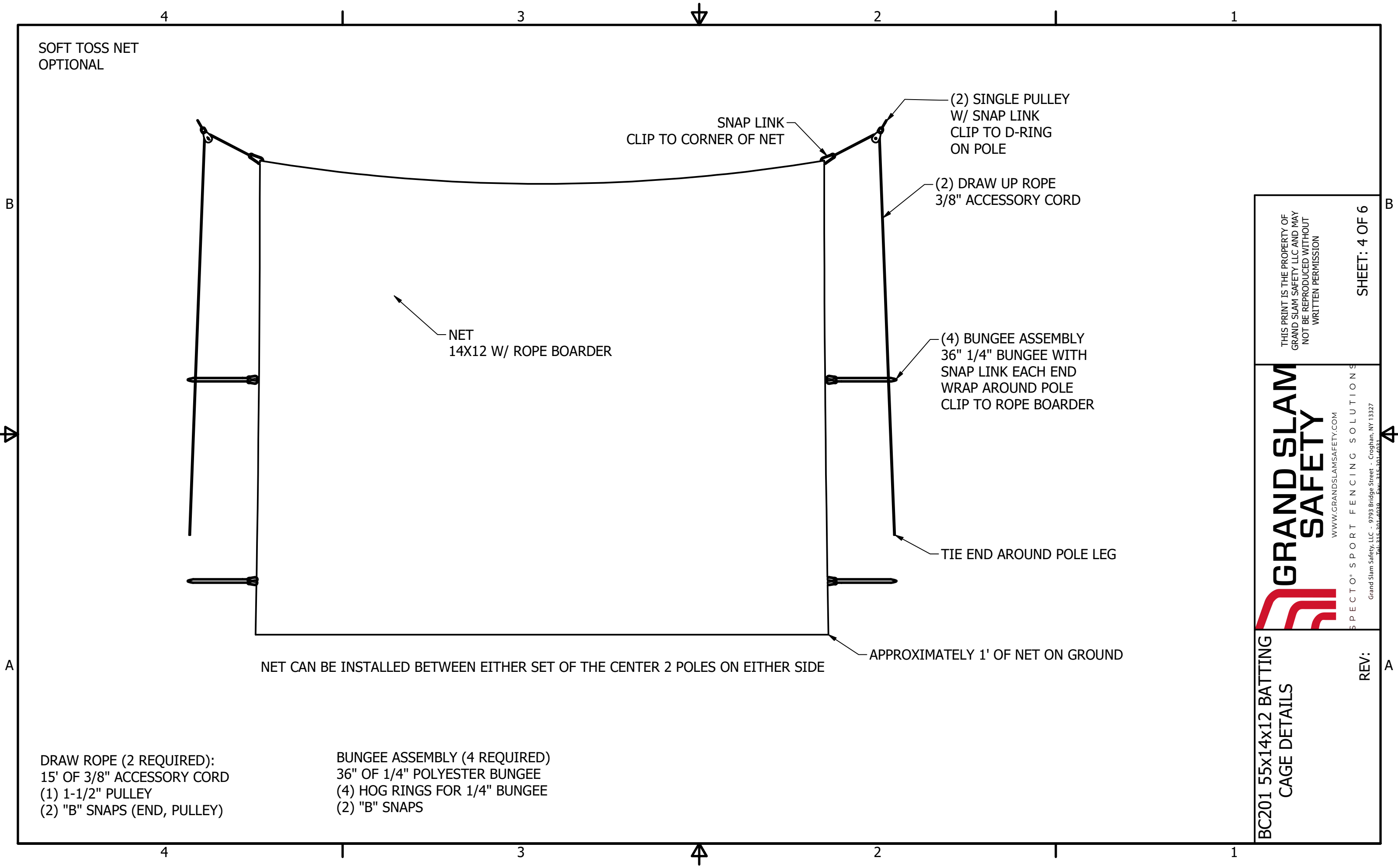
REV:

GRAND SLAM SAFETY
 WWW.GRANDSLAMSAFETY.COM
 SPECTO® SPORT FENCING SOLUTIONS
 Grand Slam Safety, LLC - 9793 Bridge Street - Croghan, NY 13327
 Tel: 315-301-4030 Fax: 315-301-4031

THIS PRINT IS THE PROPERTY OF
GRAND SLAM SAFETY LLC AND MAY
NOT BE REPRODUCED WITHOUT
WRITTEN PERMISSION

SHEET: 3 OF 6

SOFT TOSS NET
OPTIONAL



SNAP LINK
CLIP TO CORNER OF NET

(2) SINGLE PULLEY
W/ SNAP LINK
CLIP TO D-RING
ON POLE

(2) DRAW UP ROPE
3/8" ACCESSORY CORD

NET
14X12 W/ ROPE BOARDER

(4) BUNGEE ASSEMBLY
36" 1/4" BUNGEE WITH
SNAP LINK EACH END
WRAP AROUND POLE
CLIP TO ROPE BOARDER

TIE END AROUND POLE LEG

APPROXIMATELY 1' OF NET ON GROUND

NET CAN BE INSTALLED BETWEEN EITHER SET OF THE CENTER 2 POLES ON EITHER SIDE

DRAW ROPE (2 REQUIRED):
15' OF 3/8" ACCESSORY CORD
(1) 1-1/2" PULLEY
(2) "B" SNAPS (END, PULLEY)

BUNGEE ASSEMBLY (4 REQUIRED)
36" OF 1/4" POLYESTER BUNGEE
(4) HOG RINGS FOR 1/4" BUNGEE
(2) "B" SNAPS

THIS PRINT IS THE PROPERTY OF
GRAND SLAM SAFETY LLC AND MAY
NOT BE REPRODUCED WITHOUT
WRITTEN PERMISSION

SHEET: 4 OF 6

**GRAND SLAM
SAFETY**
WWW.GRANDSLAMSAFETY.COM

SPECTO® SPORT FENCING SOLUTIONS

Grand Slam Safety, LLC - 9793 Bridge Street - Croghan, NY 13327
Tel: 315-301-4030 Fax: 315-301-4031

BC201 55x14x12 BATTING
CAGE DETAILS

REV:

BACK DROP
OPTIONAL

#4 ROLLED RIM GROMMETS
Ø9/16" DIAMETER
EACH CORNER AND 12" SPACING ALONG TOP

18oz VINYL OR DOUBLE LAYER 8oz MESH

SELECTION:

MATERIAL:

18 OZ VINYL BLACK BLUE GREEN YELLOW RED
OR
8 OZ MESH (DOUBLE LAYER) BLACK BLUE GREEN YELLOW RED)

HEIGHT: _____ FT _____ INCH

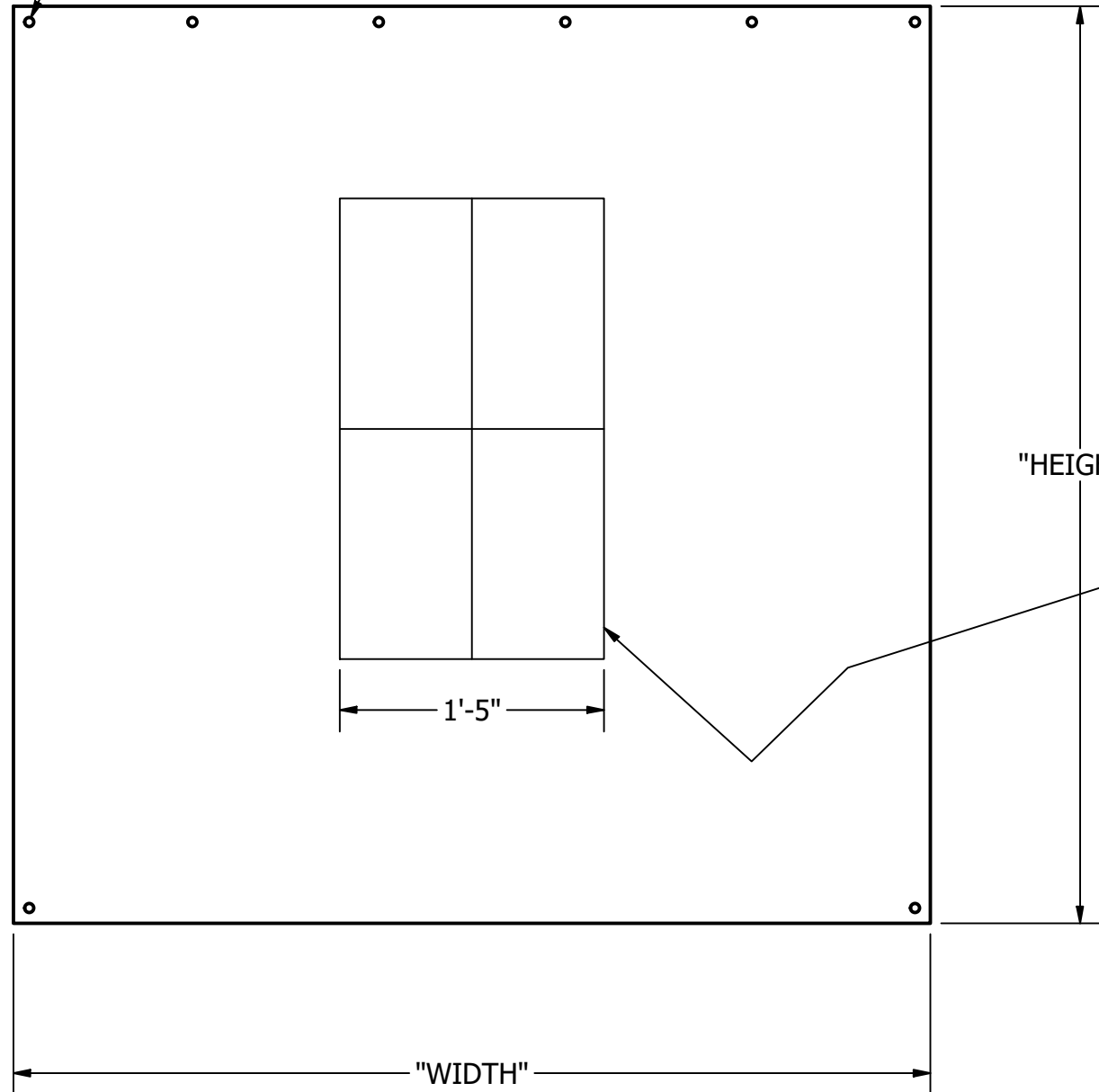
WIDTH: _____ FT _____ INCH

(NOTE: HEIGHT OR WIDTH MUST BE LESS 4'-4" IF NO SEAMS ARE DESIRED)

OPTIONAL:
STRIKE ZONE
1" WHITE PERIMETER AND CROSS LINES

SPECIFY SIZE 17" WIDE X (SZH): _____

PLAYER HEIGHT	SZH (STRIKE ZONE HEIGHT)
6'-6"	31 3/4"
6'-0"	29 1/2"
5'-6"	27 1/2"
5'-0"	25 1/2"
CUSTOM	



THIS PRINT IS THE PROPERTY OF
GRAND SLAM SAFETY LLC AND MAY
NOT BE REPRODUCED WITHOUT
WRITTEN PERMISSION

SHEET: 5 OF 6



WWW.GRANDSLAMSAFETY.COM
SPECTO® SPORT FENCING SOLUTIONS

Grand Slam Safety, LLC - 9793 Bridge Street - Croghan, NY 13327
Tel: 315-301-4030 Fax: 315-301-4031

BC201 55x14x12 BATTING
CAGE DETAILS

REV:

INSTALLATION:

1. UNPACK - VERIFY CONTENTS
2. LAYOUT POLES, INSTALL BASES TO SLAB PER LAYOUT
3. ATTACH ROPES AND HARDWARE TO POLE TOPS
4. INSTALL POLE TOPS, INSERT AND SNUG SET SCREWS
5. LAYOUT NET, PAY ATTENTION TO DOOR POSITION - ORIENT DOORS TO SIDE DESIRED
6. CLIP LIFT ROPES TO NET
7. PULL NET UP, WORKING ROPES EVENLY, IT MAY BE NECESSARY TO WORK IN 4' INCREMENTS, LEAVING 1' ON GROUND.
(NOTE: WHEN NET IS APPROX 6' OFF GROUND, INSTALL CENTER DIVIDER IF NOT SUPPLIED INSTALLED)
8. INSTALL BOTTOM ROPES AND TENSIONERS: START LEFT OF DOOR, TIE A SLIP KNOT AND PUT IN CORNER SHACKLE, WEAVE BACK AND FORTH THRU NET ABOVE THE BOTTOM ROPE BOARDER, STARTING IN CORNER, ~12' INCREMENTS, WORKING IN A "U" ALONG LONG SIDE, ACROSS END, AND BACK TO OTHER CORNER. INSTALL ONE END OF TENSIONER ON SHACKLE, RUN ROPE THRU SUCH THAT WHEN PULLED IT MAINTIANS TENSION (LEAVE LOOSE).
9. INSTALL BOTTOM NET BOARDER AND BOTTOM ROPE IN SHACKLES, SNUG SHACKLE SCREWS
10. PULL BOTTOM ROPE TIGHT THRU TENSIONERS (IT MAY BE NECESSARY TO CUT EXCESS ROPE OFF - LEAVE 2-3', WEAVE THRU NET)
11. FINISH PULLING UP NET UNTIL SIDES ARE SNUG.
12. SECURE ALL ROPES TO CLEATS.
13. SECURE BOTTOM CENTER DIVIDER PULLEY TO BOTTOM J-HOOK OR ANGLE BRACKET.

BC201 55x14x12 BATTING
CAGE DETAILS

REV:



**GRAND SLAM
SAFETY**

WWW.GRANDSLAMSAFETY.COM

SPECTO® SPORT FENCING SOLUTIONS

Grand Slam Safety, LLC - 9793 Bridge Street - Croghan, NY 13327

Tel: 315-301-4030 Fax: 315-301-4031

THIS PRINT IS THE PROPERTY OF
GRAND SLAM SAFETY LLC AND MAY
NOT BE REPRODUCED WITHOUT
WRITTEN PERMISSION

SHEET: 6 OF 6