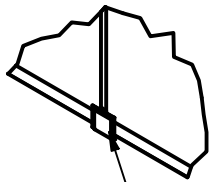
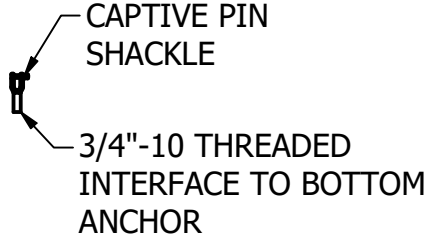


# IP300 INDOOR PERIMETER SYSTEM



1/2" CLOSED CELL FOAM SHACKLE PAD



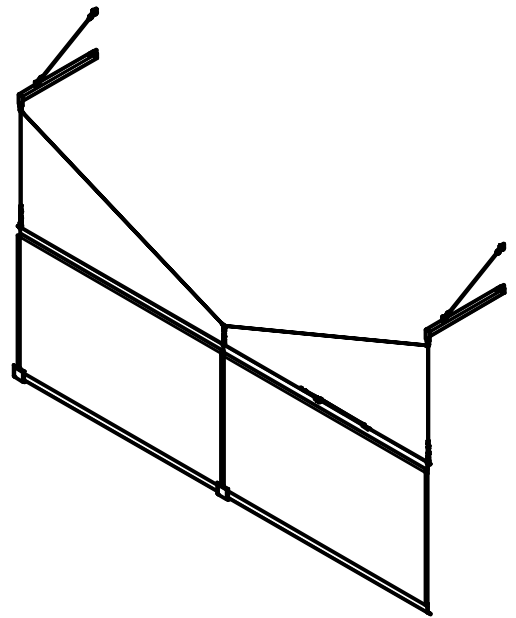
CAPTIVE PIN SHACKLE

3/4"-10 THREADED INTERFACE TO BOTTOM ANCHOR



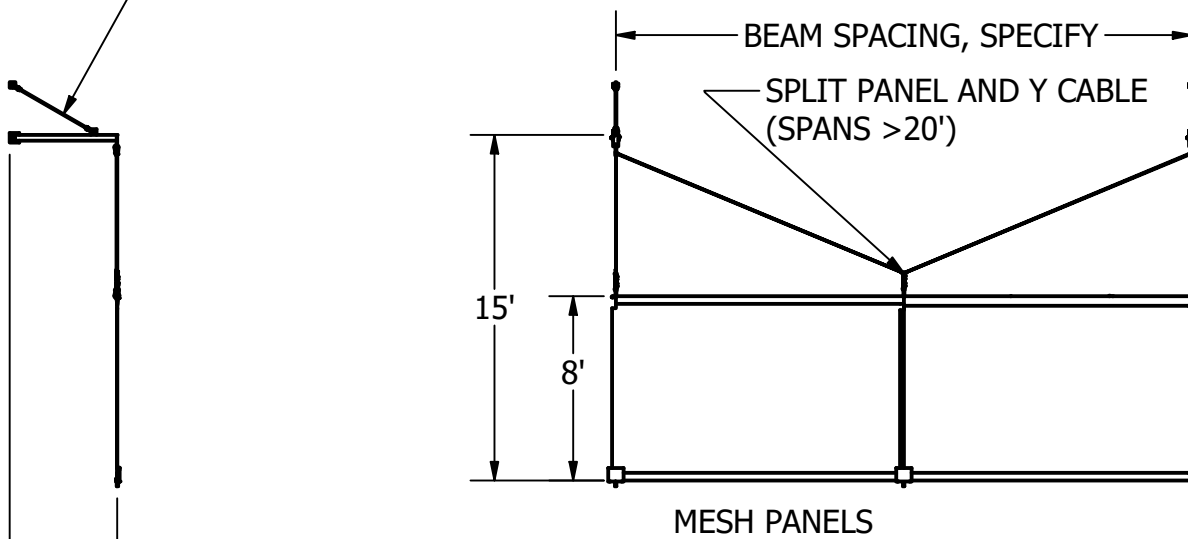
SNAP LINK AND TURNBUCKLE VERTICAL ATTACHMENT

3/16 CABLE SLEEVED WITH 1/2" OD HDPE TUBING TOP AND BOTTOM HORIZONTAL



SECTIONAL REPRESENTATION ONLY

CANTILEVER TOP MOUNT OPTION



BEAM SPACING, SPECIFY

SPLIT PANEL AND Y CABLE (SPANS >20')

15'

8'

MESH PANELS

BEAM FACE TO FENCE LINE, SPECIFY

TOP AND BOTTOM CABLES TENSIONING

SEE SHEET 2 FOR LAYOUT REQUIREMENT  
SEE SHEET 3 FOR MOUNTING OPTIONS

IP300 INDOOR SYSTEM - SPECIFICATION  
SPECTO INDOOR CONTAINMENT SYSTEM

THIS PRINT IS THE PROPERTY OF GRAND SLAM SAFETY LLC AND MAY NOT BE REPRODUCED WITHOUT WRITTEN PERMISSION



(315) 301-4039  
PO BOX 35  
9793 BRIDGE ST.  
CROGHAN, NY 13327  
USA

SHEET: 1 OF 6

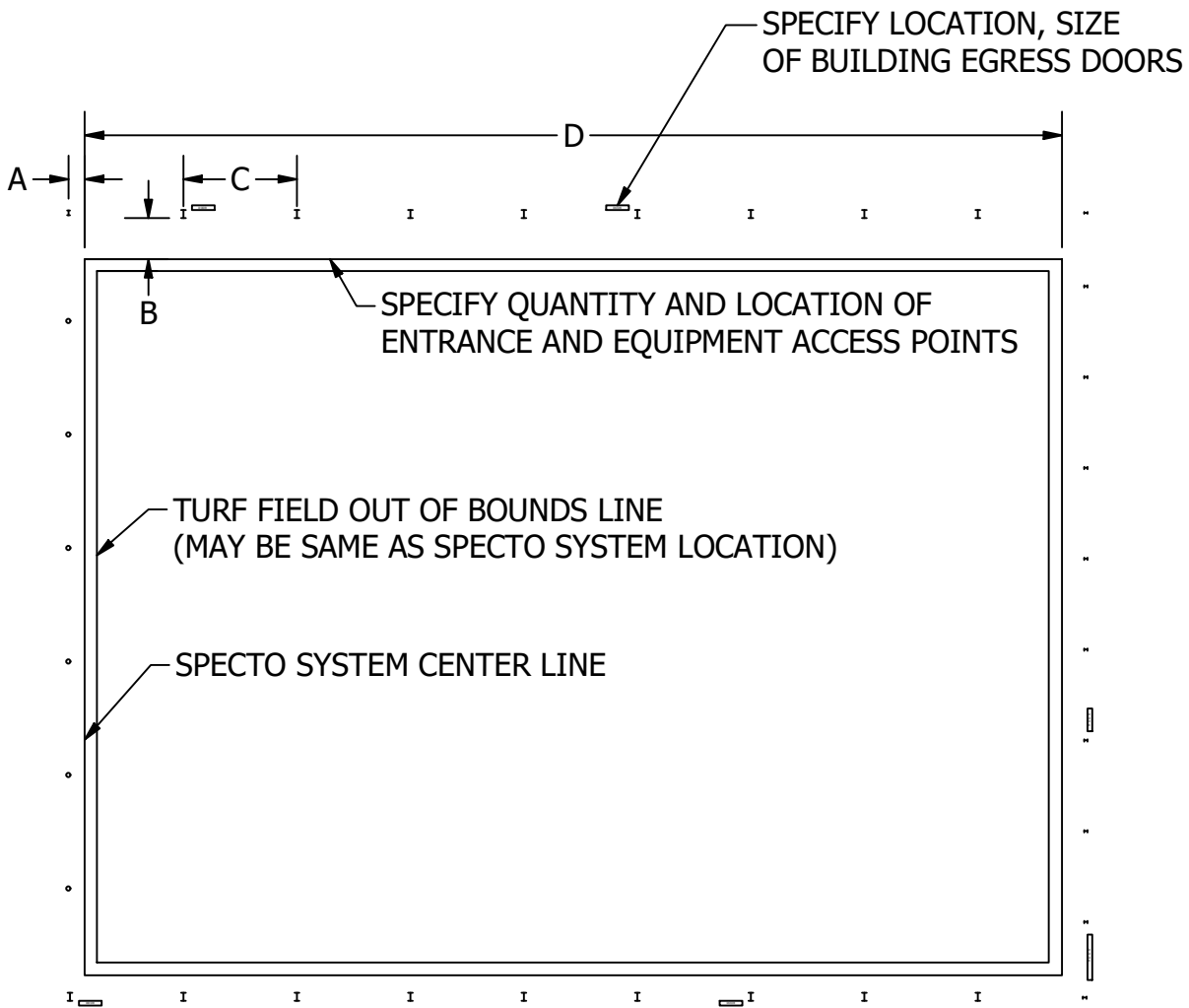
**EXAMPLE TURF FIELD LAYOUT**  
 - CONTACT MANUFACTURER FOR RECOMMENDATIONS

SPECIFY DIMENSIONS FOR EACH SIDE

EX: A = 5'2", B=10'\*, C=25', D=201'

\*B MUST BE SPECIFIED AT FINISHED FLOOR LEVEL AND 15' ABOVE FINISHED FLOOR IF TAPERED BEAM

(MIN 30", MAX RECOMMEND 10', OTHER BY STRUCTURAL DESIGN)



CUSTOMER TO SUPPLY MANUFACTURER WITH ARCHITECTURAL AND STRUCTURAL DRAWINGS FOR CONSIDERATIONS AND PRODUCT CUSTOMIZATION TO SPACE.

**IP300 INDOOR SYSTEM - SPECIFICATION**  
**SPECTO INDOOR CONTAINMENT SYSTEM**

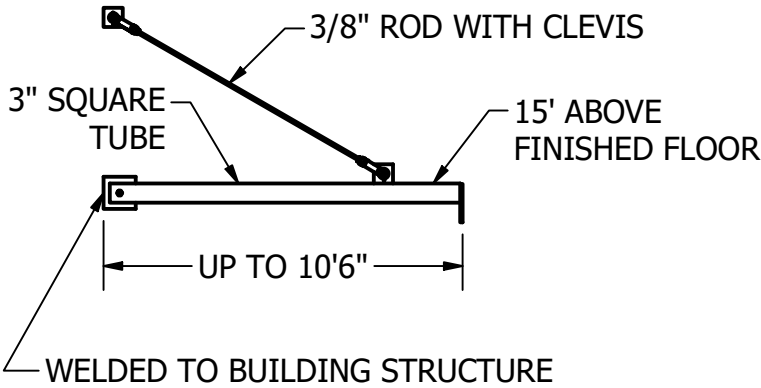
THIS PRINT IS THE PROPERTY OF GRAND SLAM SAFETY LLC AND MAY NOT BE REPRODUCED WITHOUT WRITTEN PERMISSION



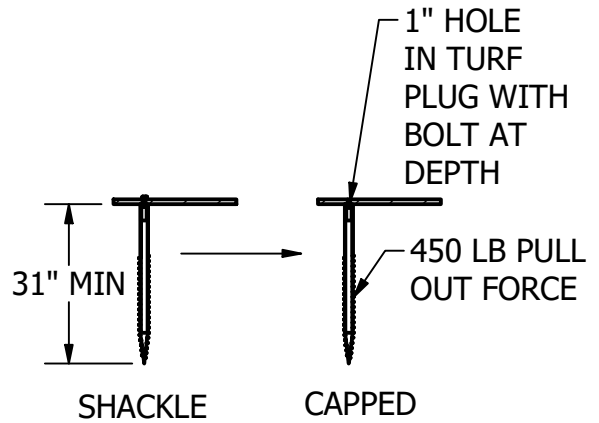
(315) 301-4039  
 PO BOX 35  
 9793 BRIDGE ST.  
 CROGHAN, NY 13327  
 USA

SHEET: 2 OF 6

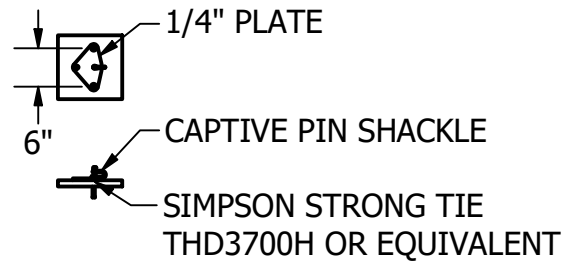
**CANTILEVER TOP MOUNT**  
 (USE WITH GROUND SCREW  
 OR CONCRETE FLOOR ANCHOR)



**GROUND SCREW ANCHOR OPTION**  
 (USE WITH CANTILEVER TOP MOUNT)

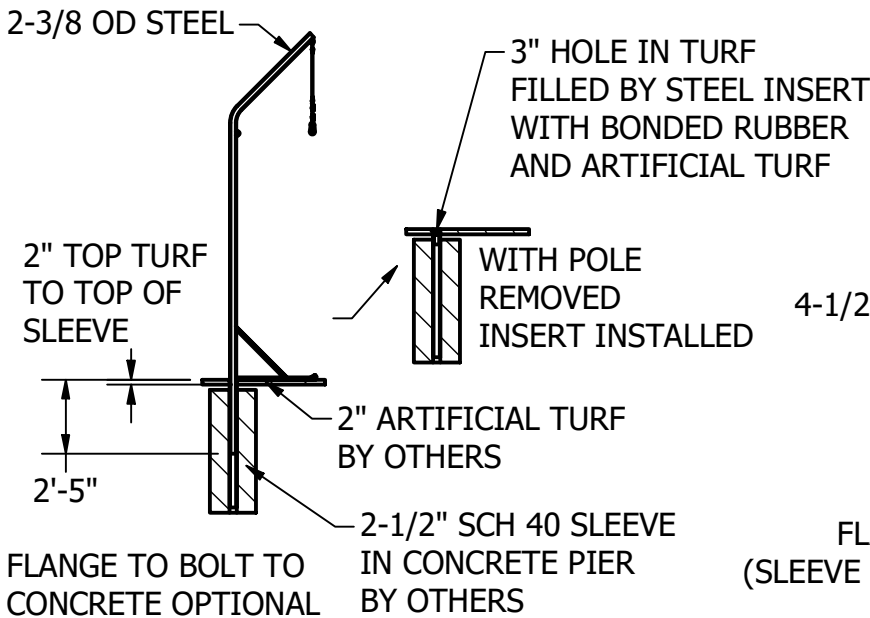


**CONCRETE FLOOR ANCHOR OPTION**  
 (USE WITH CANTILEVER TOP MOUNT)

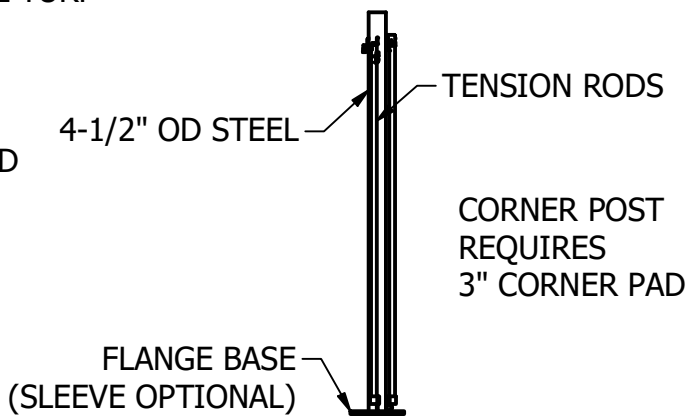


**POLE ANCHOR OPTION**

- FREE STANDING DESIGN
- DOES NOT NEED TO ATTACH OR ALIGN TO BUILDING STRUCTURE



**CORNER POST OPTION**



SYSTEM WILL BE CUSTOMIZED TO FACILITY  
 - PLEASE CONSULT MANUFACTURER

IP300 INDOOR SYSTEM -  
 SPECIFICATION  
 SPECTO INDOOR CONTAINMENT  
 SYSTEM

THIS PRINT IS THE PROPERTY OF GRAND SLAM  
 SAFETY LLC AND MAY NOT BE REPRODUCED  
 WITHOUT WRITTEN PERMISSION



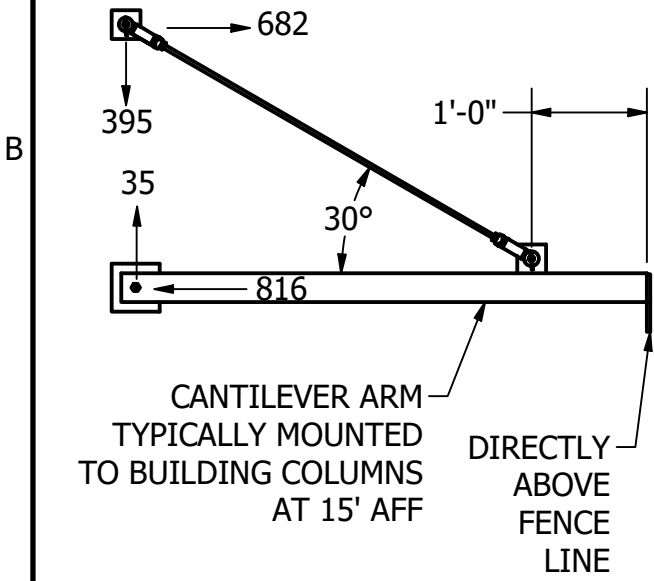
(315) 301-4039  
 PO BOX 35  
 9793 BRIDGE ST.  
 CROGHAN, NY 13327  
 USA

SHEET: 3 OF 6

**LOADING INFORMATION**

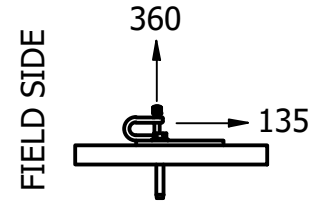
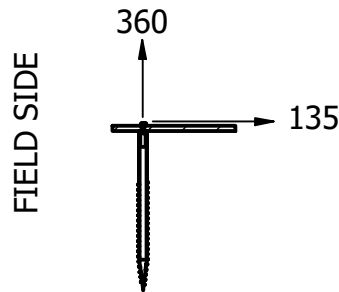
**CANTILEVER TOP MOUNT**  
 (USE WITH GROUND SCREW  
 OR CONCRETE FLOOR ANCHOR)

**INTERMEDIATE ANCHOR OPTIONS**  
 (USE WITH CANTILEVER TOP MOUNT)



GROUND SCREW OPTION

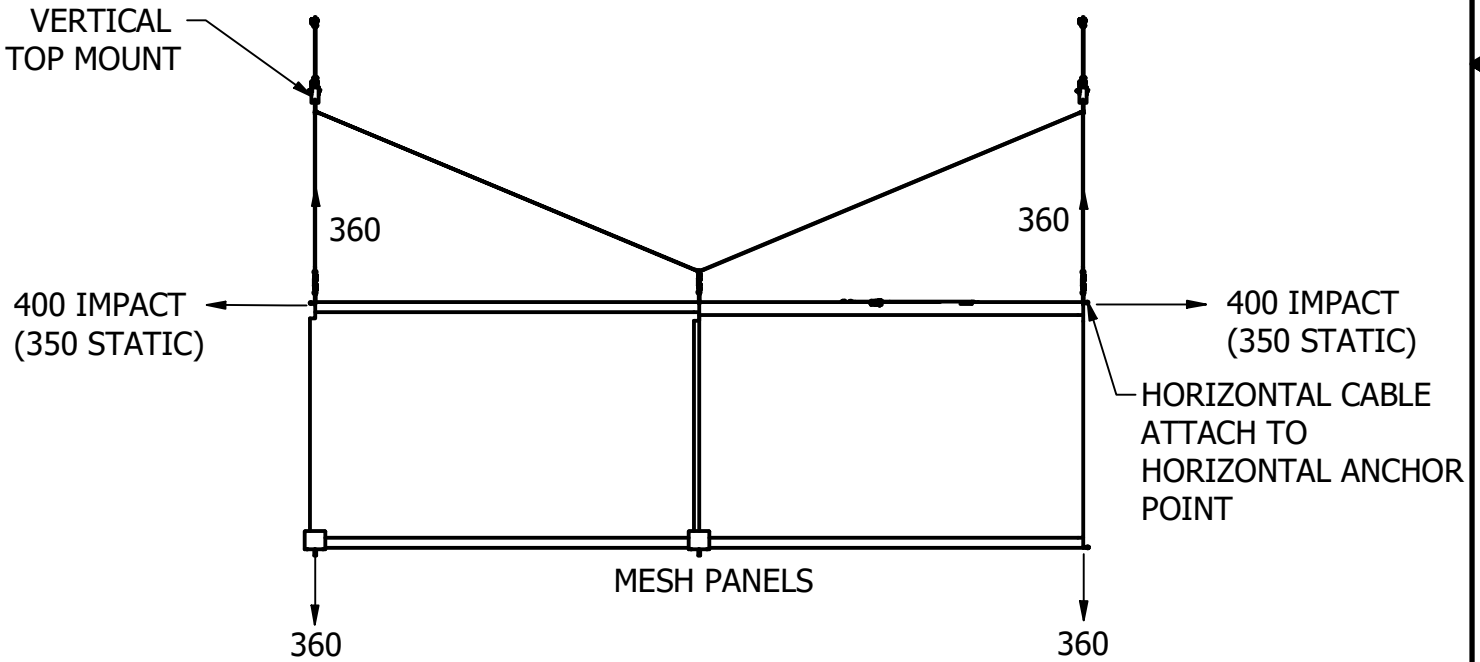
CONCRETE ANCHOR OPTION



**NOTES:**

- ALL LOADS SHOWN ARE ACTION LOADS
- ALL LOADS IN UNIT OF LBF
- 135LBF LOAD ON ANCHOR OPTIONS ACTS PERPENDICULAR TO FENCE LINE

**VERTICAL TOP MOUNT**



LISTED LOADS ARE EXPERIENCED UNDER IMPACT UNLESS OTHERWISE SPECIFIED. LOADS ARE UNFACTORED. LOADS IN LBS.

**IP300 INDOOR SYSTEM - SPECIFICATION**  
**SPECTO INDOOR CONTAINMENT SYSTEM**

THIS PRINT IS THE PROPERTY OF GRAND SLAM SAFETY LLC AND MAY NOT BE REPRODUCED WITHOUT WRITTEN PERMISSION



(315) 301-4039  
 PO BOX 35  
 9793 BRIDGE ST.  
 CROGHAN, NY 13327  
 USA

SHEET: 4 OF 6



IC6808 - SPECIFICATION SHEET

SPECTO INDOOR CONTAINMENT SYSTEM SHALL BE A SEMI-PERMANENT PANELIZED MESH FENCE ANCHORED AT THE TOP AND BOTTOM SUCH THAT IT IS IMPACTABLE BY ATHLETES. THE CONTAINMENT SYSTEM SHALL BE 8' TO THE TOP OF THE IMPACTABLE PORTION WITH OPTIONAL SPORTS NETTING ABOVE TO CUSTOMER SPECIFIED HEIGHT.

THE IMPACTABLE PORTION SHALL BE 9 OZ. PER SQUARE YARD VINYL COATED POLYESTER FABRIC MESH. MATERIAL SELF-EXTINGUISHING IN HORIZONTAL BURN MODE. CUSTOMER SHALL SPECIFY COLORS. THE IMPACTABLE PORTION SHALL BE PANELIZED CONSTRUCTION WITH LENGTH OF PANELS CUSTOMIZED TO FIT THE FACILITY. TYPICAL PANEL LENGTH IS 20'. EACH PANEL SHALL HAVE 2" HOOK AND LOOP ON OPPOSITE VERTICAL EDGES TO CONNECT ADJACENT PANELS. SEAMS SHALL BE REINFORCED WITH HOOK AND LOOP "L-STRAPS" AT THE TOP AND BOTTOM. THE HORIZONTAL TOP AND BOTTOM EDGES SHALL HAVE 6 INCHES TURNED BACK TO FORM A 4" POCKET, POCKET SHALL BE CLOSED VIA 2" HOOK AND LOOP. A 2" HOOK SHALL BE ATTACHED TO THE FIELD SIDE AT 7'6" TO ATTACH OPTIONAL SPORTS NETTING. A 6" SQUARE BY 1/2" CLOSED CELL FOAM PAD COVERED BY 18 OZ PER SQUARE YARD VINYL SHALL BE SEWN TO THE PANEL TO COVER THE BOTTOM ATTACHMENT POINT BETWEEN PANELS.

THE PANELS SHALL BE SUPPORTED VIA A TOP AND BOTTOM HORIZONTAL CABLE; 3/16" DIAMETER HAVING A 3500 LB BREAKING STRENGTH, ENCLOSED WITHIN A 1/2" OD HDPE TUBE. THE HORIZONTAL CABLE SHALL TERMINATE TO HORIZONTAL ANCHOR POINTS. A TOP VERTICAL CABLE SUPPORT SHALL BE POSITIONED AT PANELS SEAMS AND CONSIST OF 1/8" CABLE HAVING A 1800# BREAKING STRENGTH. THE TOP VERTICAL CABLE SUPPORT SHALL EXTEND UPWARD TO A VERTICAL ANCHOR POINT. THE BOTTOM VERTICAL ANCHOR POINT SHALL BE SECURED FROM FORWARD AND BACKWARD MOVEMENT BY A 5/16" CAPTIVE PIN SHACKLE SECURED TO A BOTTOM ANCHOR POINT.

ACCESS AND EGRESS POINTS SHALL BE 42" WIDE BE 6'-8" HIGH OPENINGS WITH 6" WIDE LOW PROFILE WEIGHTED THRESHOLD. THE ACCESS AND EGRESS POINT SHALL BE COVERED ON THE FIELD SIDE WITH 5'-6" WIDE MESH SECURED TO THE TOP OF THE PANEL VIA HOOK AND LOOP WITH SUFFICIENT HEIGHT TO ALLOW APPROXIMATELY 6" TO REST OF FLOOR TO PREVENT BALLS FROM ROLLING THRU THE OPENING AND STILL ALLOWING EASE OF EGRESS THRU THE OPENING. AN SIGN WITH "ENTER" AND "EXIT" SHALL BE FURNISHED WITH 10" STENCILLED LETTERS ATTACHABLE VIA HOOK AND LOOP TO THE FRONT AND BACK OF THE OPENING FOR EASE OF VISIBILITY FROM THE FIELD. ACCESS AND EGRESS POINTS WILL BE LOCATED TO COINCIDE WITH FACILITY EGRESS POINTS AND AS SPECIFIED BY CUSTOMER, CONSULT MANUFACTURER.

EQUIPMENT ACCESS POINTS SHALL BE 2" HOOK AND LOOP RE ENFORCED AND TRIPLE SEWN PULL OPEN FLAPS IN INDIVIDUAL PANELS. THE SIZE AND LOCATION OF THE OPENINGS SHALL BE SPECIFIED AFTER CONSULTATION WITH THE MANUFACTURER.

IP300 INDOOR SYSTEM -  
SPECIFICATION  
SPECTO INDOOR CONTAINMENT  
SYSTEM

THIS PRINT IS THE PROPERTY OF GRAND SLAM  
SAFETY LLC AND MAY NOT BE REPRODUCED  
WITHOUT WRITTEN PERMISSION



(315) 301-4039  
PO BOX 35  
9793 BRIDGE ST.  
CROGHAN, NY 13327  
USA

SHEET: 5 OF 6





HORIZONTAL ANCHOR POINTS: TWO HORIZONTAL ANCHOR OPTIONS ARE AVAILABLE.

-THE HORIZONTAL POINTS CAN BE INTEGRATED INTO THE BUILDING STRUCTURE UTILIZING ATTACHMENT POINTS AND CABLES, PLEASE CONSULT MANUFACTURER FOR THIS CUSTOMIZED OPTION.

-A CORNER POLE HORIZONTAL ATTACHMENT POINT SHALL CONSIST OF 4" SCHEDULE 40 PIPE CORNER POSTS ANCHORED VIA A CONCRETE FOOTING (BY OTHER). THE CORNER POLE SHALL BE POWDER COATED, CUSTOMER TO SPECIFY COLOR, AND CONTAIN INTEGRAL D-RINGS AND TENSION RODS TO SECURE HORIZONTAL CABLES AND MESH PANELS. A 3" THICK CLOSED CELL CORNER PAD SHALL BE COVERED WITH 18 OZ PER SQUARE YARD VINYL AND SHALL COVER THE FIELD SIDE OF THE POLE. THE CORNER PAD SHALL CONNECT TO THE PANELS VIA HOOK AND LOOP TO THE PANEL FACE ON EACH VERTICAL EDGE AND HOOK AND LOOP STRAPS AROUND THE POLE.

B

B

VERTICAL ANCHOR POINTS: THE MANUFACTURER SHALL OFFER TWO VERTICAL ATTACHMENT POINT OPTIONS.

-THE "POLE-LESS" VERTICAL ATTACHMENT POINTS SHALL INTEGRATE THE BOTTOM ANCHOR POINT, A 5/16" CAPTIVE PIN SHACKLE, INTO EITHER A CONCRETE FOUNDATION (BY OTHER) OR GROUND SCREW. THE ANCHOR POINT SHALL BE SUCH THAT IF THE CAPTIVE PIN SHACKLE IS REMOVED THE ANCHOR SHALL BE BELOW THE TURF. THE TOP ATTACHMENT POINT SHALL CONSIST OF CANTILEVERED BEAMS FROM NEARBY BUILDING STRUCTURE. CONSULT MANUFACTURER FOR THIS CUSTOM OPTION.

-A POLE STYLE VERTICAL ATTACHMENT POINTS SHALL INTEGRATE THE BOTTOM AND TOP ATTACHMENT POINTS INTO A SINGLE POLE. THE POLE SHALL BE SECURED EITHER TO THE FACILITY OR INSERTED INTO A SLEEVE ENCASED IN A CONCRETE FOUNDATION (BY OTHER). CONSULT THE MANUFACTURER FOR MOUNTING OPTIONS. THE POLE SHALL SECURE THE TOP VERTICAL CABLE 10'-11" ABOVE THE PLAYING SURFACE AND BE SET BACK 31-1/2" FROM CENTER OF POLE TO CENTERLINE OF FENCE, TO MINIMIZE IMPACT OF PLAYERS WITH HARD STRUCTURE. POLE SHALL BE 2" SCHEDULE 40 PIPE STEEL PIPE, POWDER COATED BLACK. CUSTOM COLORS AVAILABLE, CONTACT MANUFACTURER.



A

A

IP300 INDOOR SYSTEM -  
SPECIFICATION  
SPECTO INDOOR CONTAINMENT  
SYSTEM

THIS PRINT IS THE PROPERTY OF GRAND SLAM  
SAFETY LLC AND MAY NOT BE REPRODUCED  
WITHOUT WRITTEN PERMISSION



(315) 301-4039  
PO BOX 35  
9793 BRIDGE ST.  
CROGHAN, NY 13327  
USA

SHEET: 6 OF 6

